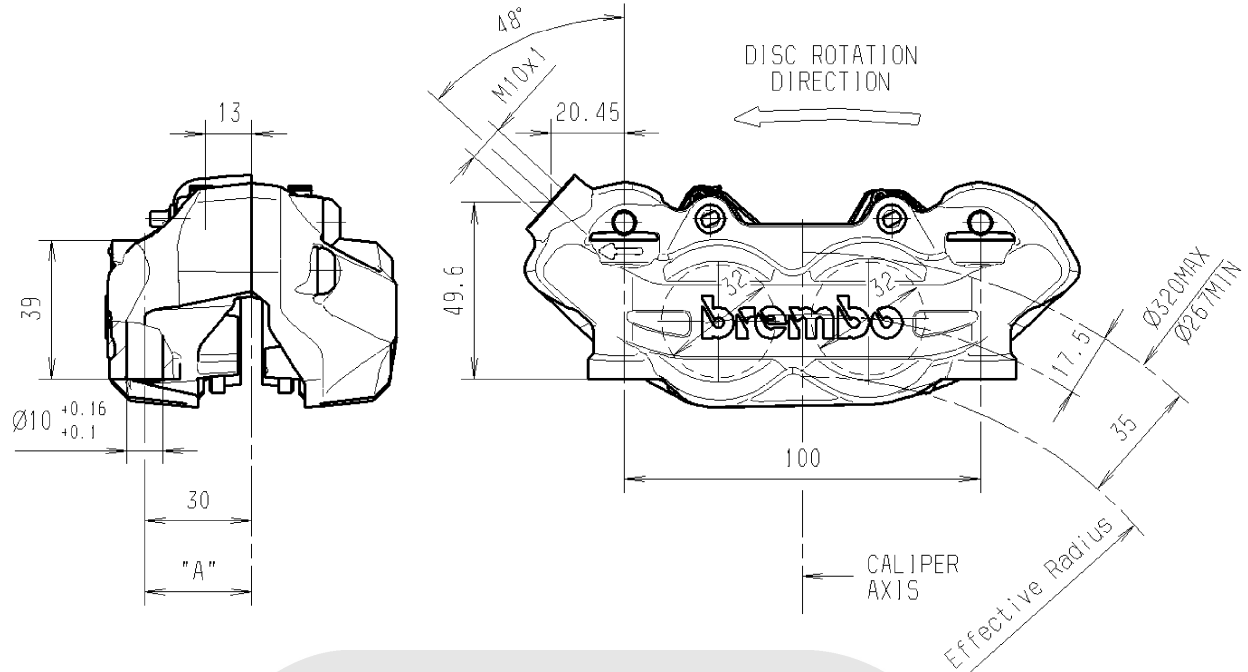




# FIXED CALIPER

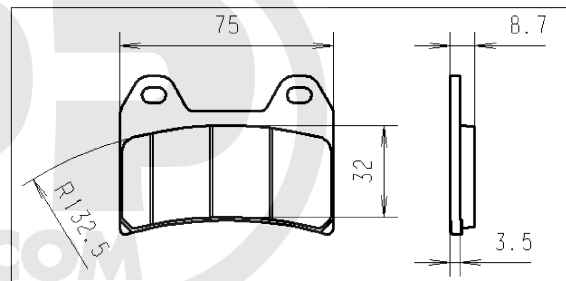
P4.32 k  
20.9970.30  
20.9970.40



## DESCRIPTION

Fixed caliper with 4 opposed pistons, realized by semicalipers joined by bolts.  
Construction Material: Aluminium Alloy.  
Operating fluid: brake fluid DOT4.  
N.B.: Drawing shows left side caliper.  
Code 20.9970.30.  
Code 20.9970.40 specular.  
Mounting side behind the fork.

## PADS SHAPE AND DIMENSIONS



## TECHNICAL CHARACTERISTICS

|                                |                       |         |                              |                      |
|--------------------------------|-----------------------|---------|------------------------------|----------------------|
| Pistons number and diameter:   | 4                     | 32 mm   | Average pad surface (1 pad): | 22.5 cm <sup>2</sup> |
| MAX working pressure:          |                       | 70 bar  | Weight (with sintered pad):  | 1.060 kg             |
| "A" Disc position (TOLERANCE): |                       |         |                              |                      |
|                                | Disc thickness 5.0 mm | ±0.8 mm |                              |                      |
|                                | Disc thickness 4.5 mm | ±0.8 mm |                              |                      |
|                                | Disc thickness 4.0 mm | ±0.8 mm |                              |                      |

## CONFIGURATION

| CHARACT. CODE CALIPER    | PADS FRICTION MATERIAL | BODY COLOR | MOUNT. SIDE | USABLE DISCS THICKNESS     | BRAKE FLUID FOR PADS WEAR |
|--------------------------|------------------------|------------|-------------|----------------------------|---------------------------|
| 20.9970.30<br>20.9970.40 | TOSHIBA<br>TT 2172 HH  | NATURAL    | SX<br>DX    | 5.0 mm<br>4.5 mm<br>4.0 mm | 16.0 cm <sup>3</sup>      |

## AVAILABLE SPARE PARTS

| SPARE PARTS CODE CALIPER | PADS        | RETAINERS   | PIN RETAINER | PAD SPRING  |
|--------------------------|-------------|-------------|--------------|-------------|
| 20.9970.30<br>20.9970.40 | 107.6708.21 | 105.4542.18 | 120.3942.30  | 120.2255.90 |