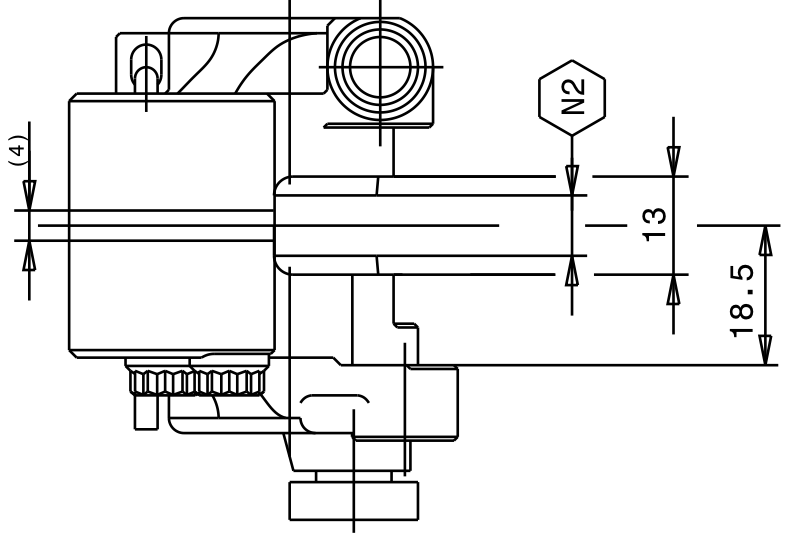
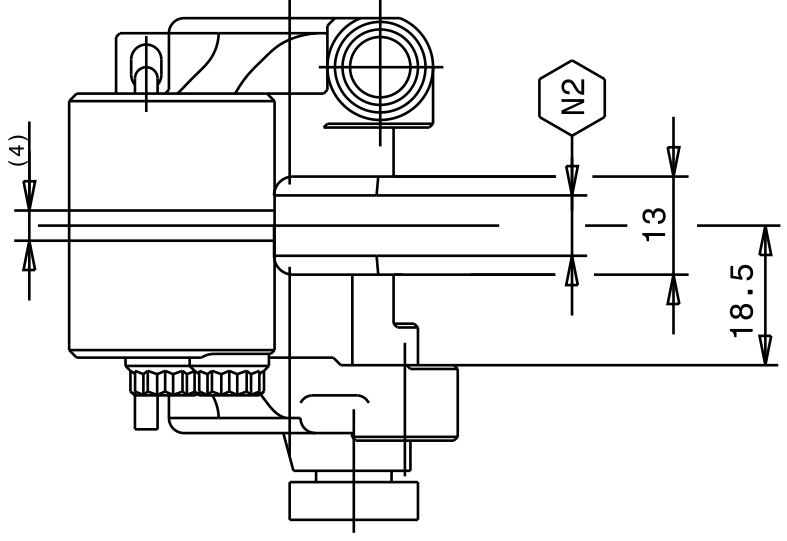
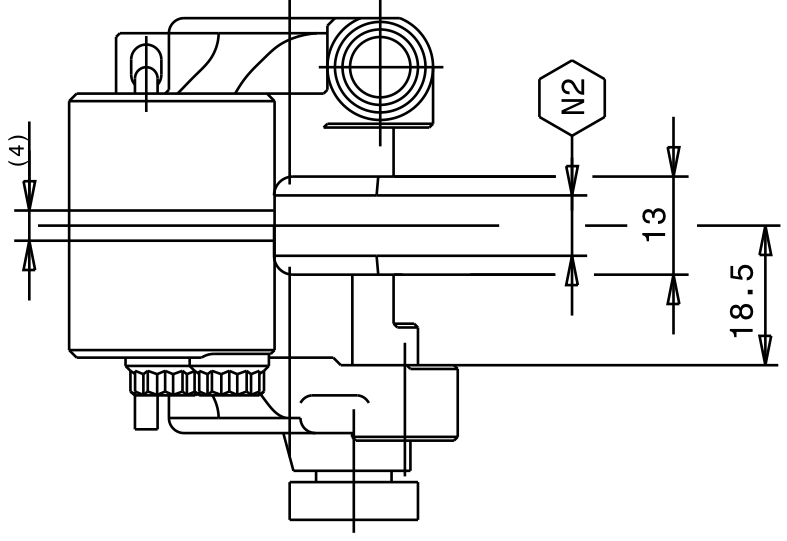
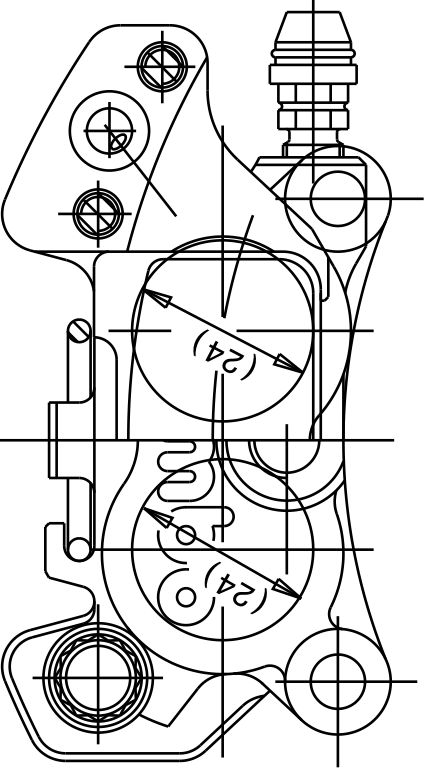


1	2	3	4	5	6
---	---	---	---	---	---

<p>A</p> 	<p>B</p> 	<p>C</p> 	<p>D</p> 
---	---	---	---

X2.061.20

X2.061.23

X2.061.19

A9.11.65.108 (X2)

X2.061.22 (X2)

SUGGESTED COMBINATIONS CARBON-CARBON BRAKE DISCS AND PADS
SUGGESTED COMBINATIONS STEEL IRON BRAKE DISCS AND PADS

	N2 mm	N3 mm MIN	N4 mm	N5 mm MIN
	8.0	6.5	7.0	5.5
	8.0	7.5	7.6	5.5



NOTES

	NOTES
N1	CHANGES FROM X 2.061.01 AS SHOWN
N2	DISCS TH
N3	WORN DISC THICKNESS
N4	PAD TH
N5	WORN PAD TH

	NOTE
N1	VARIA DA X 2.061.01 PER QUANTO INDICATO
N2	SPESSORE DISCHI UTILIZZABILI
N3	SPESSORE DISCO USURATO
N4	SPESSORE PASTIGLIE UTILIZZABILI
N5	SPESSORE PASTIGLIE USURATE

<p>CLASSE</p>		<p>MASSA Kg</p>	
<p>MATERIALE</p>		<p>sostituisce</p>	
<p>FINITURE</p>		<p>sostituito da</p>	
<p>SPECIFICHE</p>		<p>disegnato controllato approvato</p>	
<p>Pinza P4.24 (senza pastiglie)...</p>		<p>data 11.09.95 11.09.95</p>	
<p>CALIPER P4.24 (without pads)...</p>		<p>disegnato da Gherardi Gotti</p>	
<p>Dimensioni</p>		<p>FOGLIO</p>	
<p>Rugosità in Ra (µm)</p>		<p>N° DISEGNO</p>	
<p>±2</p>		<p>X 2.061.21</p>	
<p>±2</p>		<p>A3</p>	
<p>±2</p>		<p>EM</p>	

