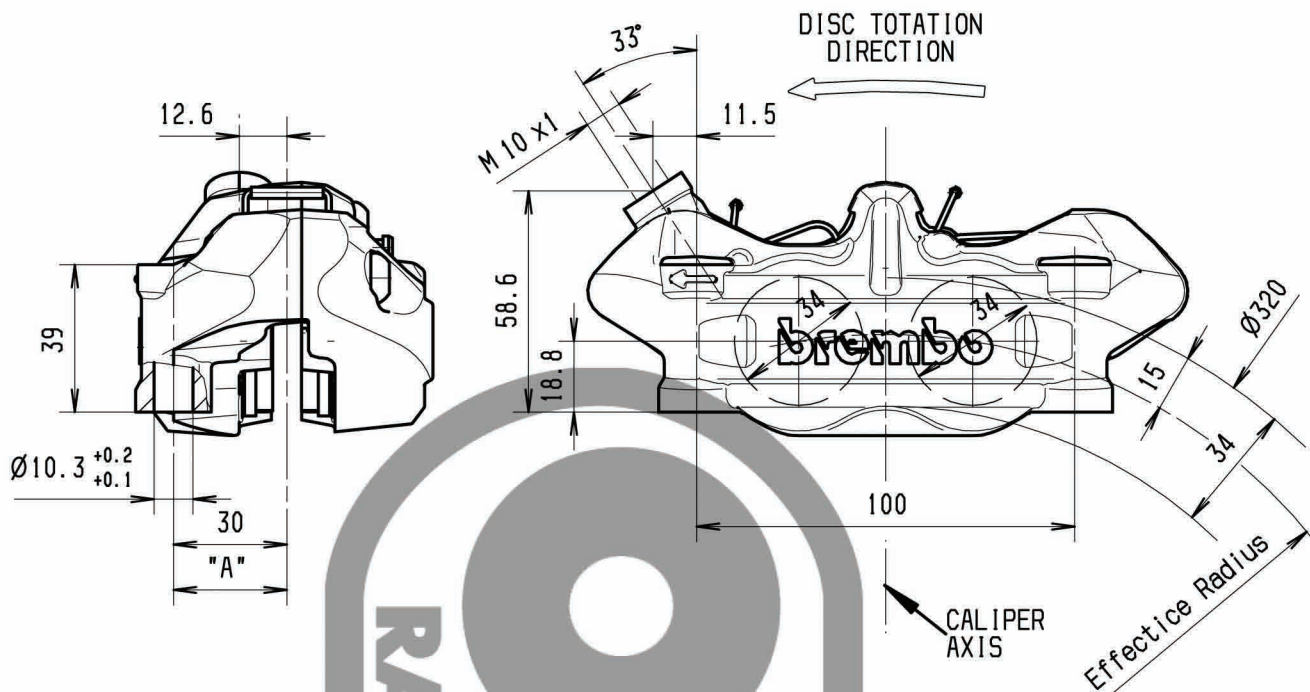




FIXED CALIPER

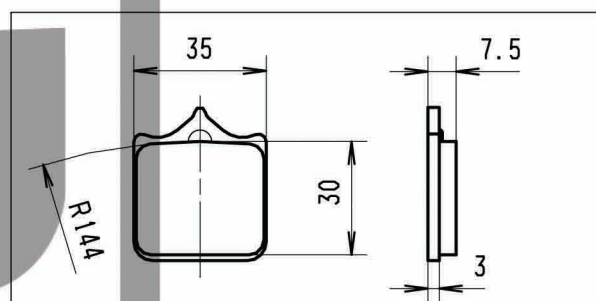
P4.34 b
20.8343.¹⁰/₂₀



DESCRIPTION

Fixed caliper with 4 opposed pistons, realized by semicalipers joined by bolts.
Construction Material: Aluminium Alloy.
Operating fluid: brake fluid DOT4.
N.B.: Drawing shows left side caliper.
Code 20.8343.10.
Code 20.8343.20 specular.
Mounting side behind the fork.

PADS SHAPE AND DIMENSIONS



TECHNICAL CHARACTERISTICS

Pistons number and diameter:	4 34 mm	Average pad surface (1 pad):	9.90 cm ²
MAX working pressure:	70 bar	Weight (with sintered pad):	0.930 kg
"A" Disc position (TOLERANCE):			
Disc thickness 5.0 mm	±0.8 mm		
Disc thickness 4.5 mm	±0.8 mm		

CONFIGURATION

CHARACT. CODE CALIPER	PADS FRICTION MATERIAL	BODY COLOR	MOUNT. SIDE	USABLE DISCS THICKNESS	BRAKE FLUID FOR PADS WEAR
20.8343. ¹⁰ / ₂₀	TOSHIBA TT 2802 GG	GOLD BRILLIANT	SX DX	5.0 mm 4.5 mm	14.2 cm ³

AVAILABLE SPARE PARTS

CHARACT. CODE CALIPER	SPARE PARTS	PADS	SPRING PIN
20.8343. ¹⁰ / ₂₀		107.7855.11	122.4849.56