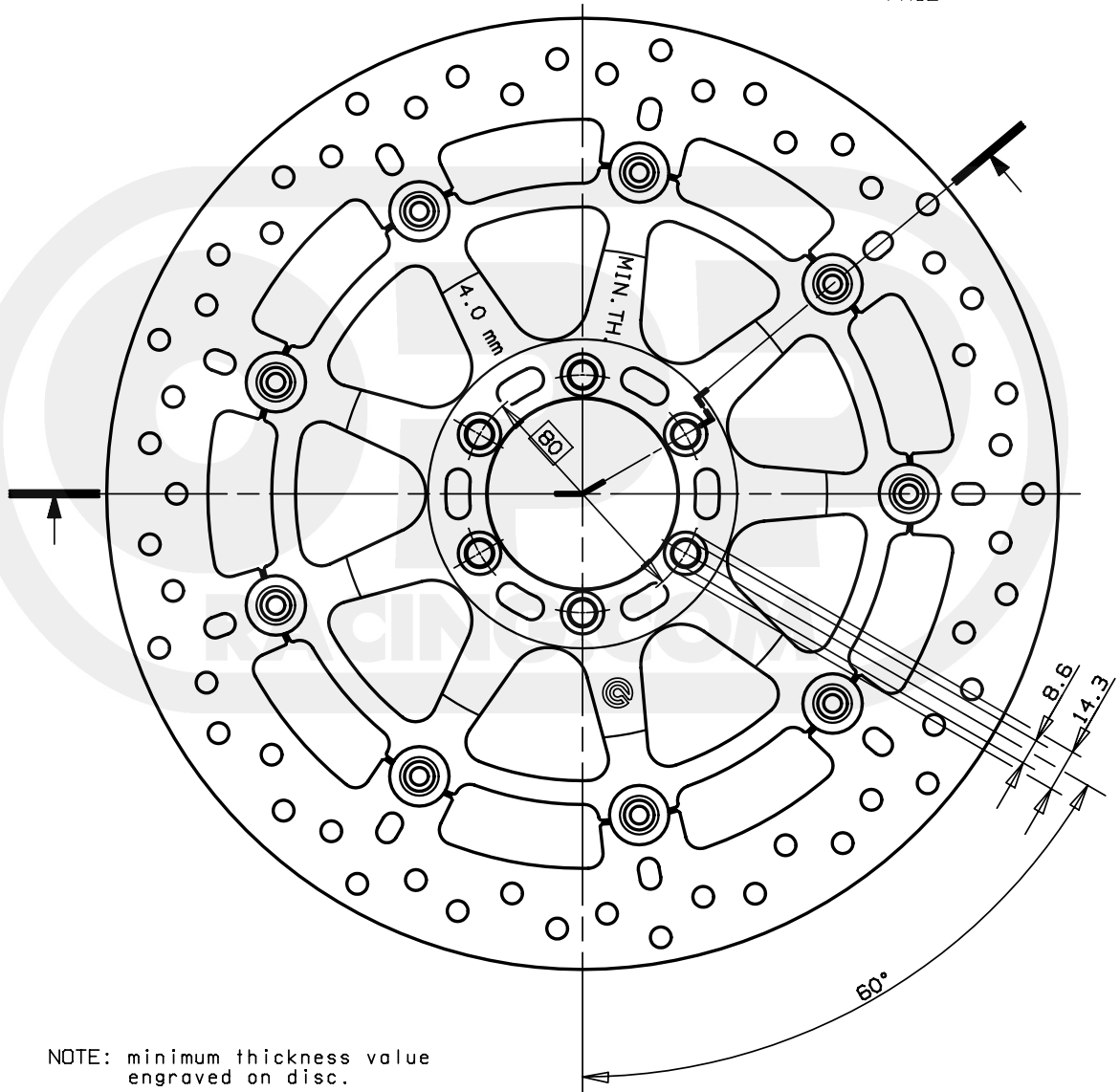
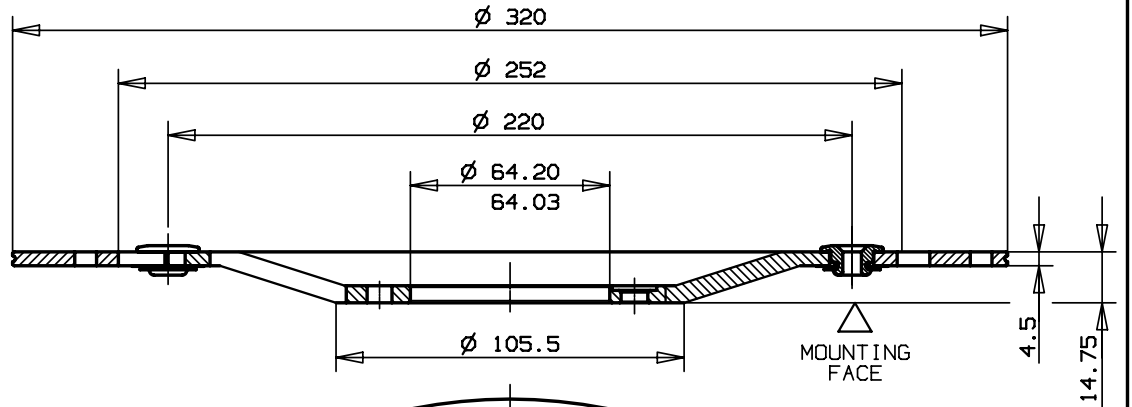


	BRAKE DISC	DP 320
		08.2003.75



NOTE: minimum thickness value engraved on disc.

**CHARACTERISTIC**

MOUNTING BELL MATERIAL	MOUNTING BELL FINISHING	BRAKING SURFACE MATERIAL	BRAKING SURFACE FINISHING	MINIMUM THICKNESS	WEIGHT
Aluminium	Gold	Steel	Black painting	4.0 mm	1.35 Kg

Indicating informations subject to modification.  
 For further specifications contact Technical Section.

LAST UPDATE : 22/02/2001