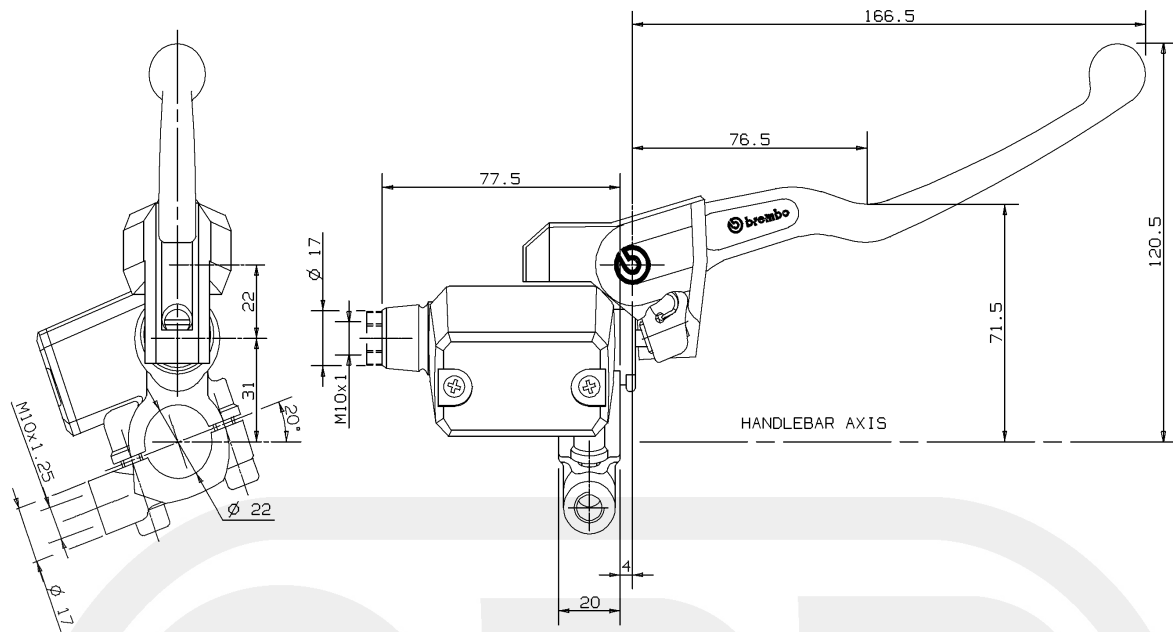




FRONT MASTER CYLINDER

PS 13
10.4620.23



DESCRIPTION

Front master cylinder with incorporated reservoir.
Construction Material: Aluminium Alloy.
Operating fluid: brake fluid DOT4.
Clamp with seat for rearview mirror (Right thread).
Nipple for clamp protection.

Master cylinder
BODY color: Black Anodic Oxidation.
Master cylinder
LEVER color: Black Painting.

TECHNICAL CHARACTERISTICS

Piston diameter: 13.0 mm
Weight: 0.354 Kg
Reservoir volume: 19.5 cm³
Reservoir volume difference between MAX and MIN level: 11.0 cm³

AVAILABLE SPARE PARTS

SPARE PARTS CODE	LEVER	CLAMP	CAP	LEVER PIN	WINDOW	NIPPLE
10.4620.23	110.2706.50	110.4372.13	110.4308.60	110.2798.50	110.4533.10	110.3530.40

Indicating informations subject to modification.
For further specifications contact Technical Section.

LAST UPDATE: 16/11/1994