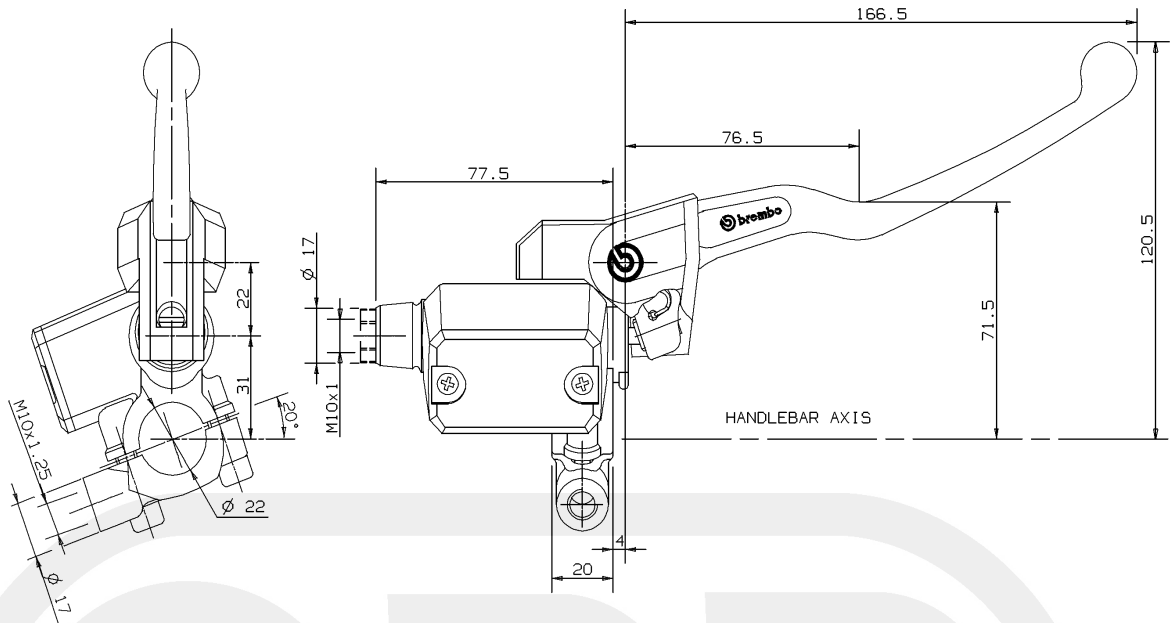




## FRONT MASTER CYLINDER

**PS 12**

**10.4620.63**



### DESCRIPTION

Front master cylinder with incorporated reservoir.  
 Construction Material: Aluminium Alloy.  
 Operating fluid: brake fluid DOT4.  
 Clamp with seat for rearview mirror (Left thread).  
 Nipple for clamp protection.  
 Microswitch.

Master cylinder BODY color: Black Anodic Oxidation.  
 Master cylinder LEVER color: Black Painting.

### TECHNICAL CHARACTERISTICS

Piston diameter: 12.0 mm  
 Weight: 0.350 Kg  
 Reservoir volume: 19.5 cm<sup>3</sup>  
 Reservoir volume difference between MAX and MIN level: 11.0 cm<sup>3</sup>

### AVAILABLE SPARE PARTS

SPARE PARTS CODE	LEVER	CLAMP	CAP	LEVER PIN	WINDOW	NIPPLE	MICROSWITCH	ANTI-BUBBLE
10.4620.63	110.2706.50	110.4372.16	110.4308.60	110.2798.50	110.4533.10	110.3530.40	110.4418.12	110.4771.10

Indicating informations subject to modification.  
 For further specifications contact Technical Section.

LAST UPDATE: 26/02/1993