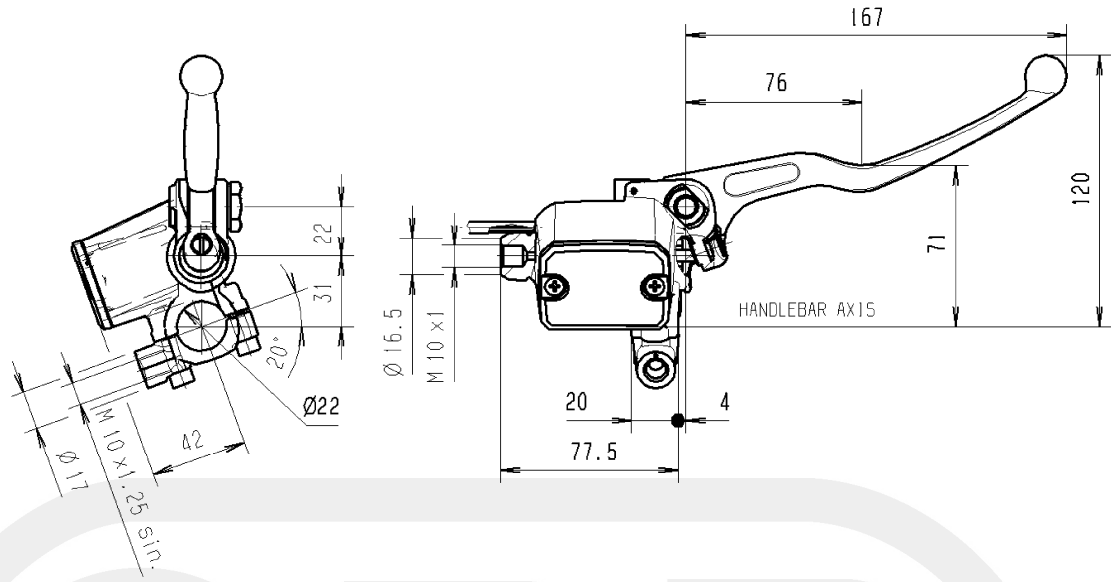


	FRONT MASTER CYLINDER	PS 15/22
		10.4620.67



DESCRIPTION	
Front master cylinder with incorporated reservoir. Construction Material: Aluminium Alloy. Operating fluid: brake fluid DOT3 - DOT4. Clamp with seat for rearview mirror (left thread).	Master cylinder BODY color: Black Anodic Oxidation Master cylinder LEVER color: Black Painting

TECHNICAL CHARACTERISTICS	
Piston diameter:	15 mm
Weight:	0.400 kg
Reservoir usable volume:	40.0 cm ³
Reservoir volume difference from MAX and MIN level:	26.0 cm ³

AVAILABLE SPARE PARTS

SPARE PARTS CODE	LEVER	CLAMP	CAP	LEVER PIN	MICROSWITCH
10.4620.67	110.2706.50	110.4372.16	110.2704.43	110.2798.50	110.4418.26

Indicating informations subject to modification. For further specifications contact Technical Section. LAST UPDATE: 04/06/04