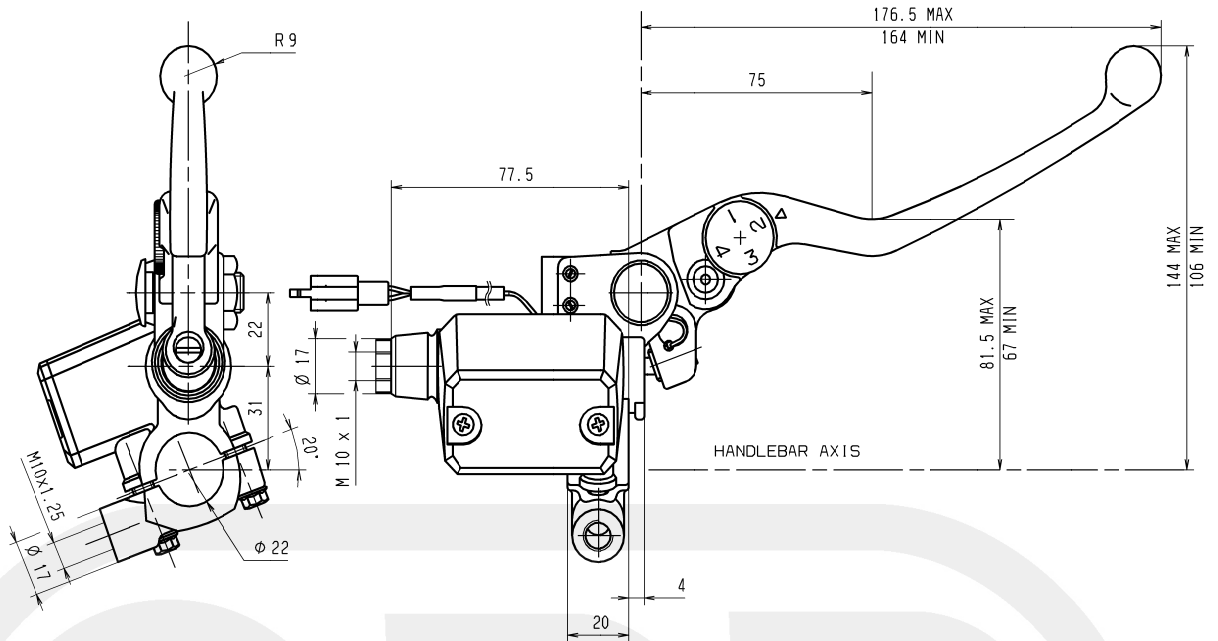




FRONT MASTER CYLINDER

PS 13/22

10.4620.94



DESCRIPTION

Front master cylinder with incorporated reservoir and adjustable lever opening.
Construction material: Aluminium alloy.
Operating fluid: brake fluid DOT4.
Clamp with seat for rearview mirror (Right thread).

Master cylinder BODY color: Black anodic oxidation.
Master cylinder LEVER color: Polishing and transparent painting.

TECHNICAL CHARACTERISTICS

Piston diameter:	13.0 mm
Weight:	0.350 Kg
Reservoir volume:	19.5 cm ³
Reservoir volume difference between MAX and MIN level:	11.0 cm ³

AVAILABLE SPARE PARTS

SPARE PARTS PUMP CODE	MICROSWITCH	LEVER	COVER	SEAL	LEVER PIN	COVER	CLAMP	WINDOW
10.4620.94	110.4671.32	110.2706.45	105.3851.50	110.4362.52	110.2798.50	110.4308.60	110.4372.40	110.4533.10

Indicating informations subject to modification.
For further specifications contact Technical Section.

LAST UPDATE: 25/03/2003