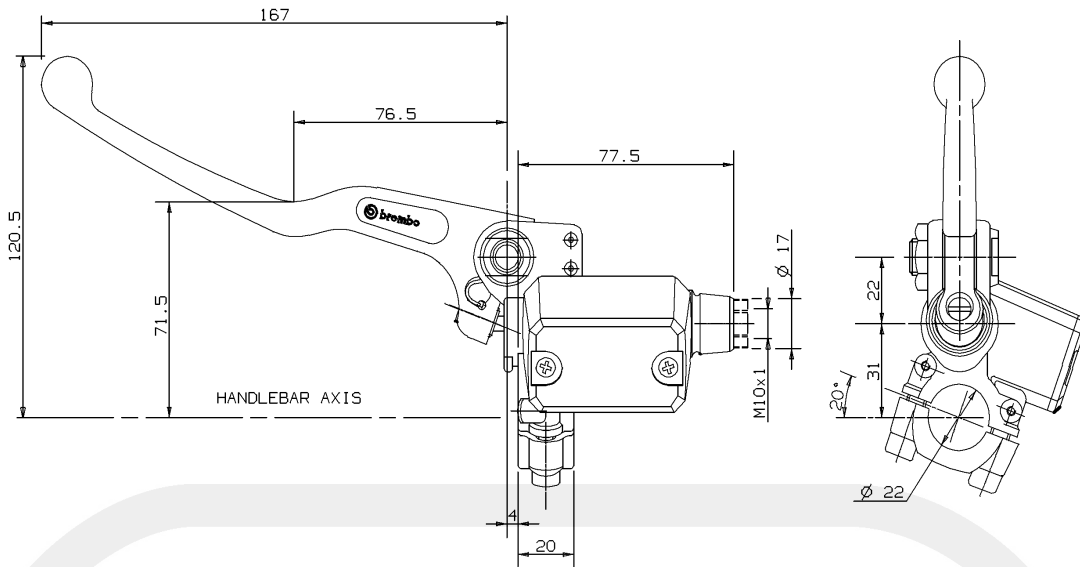




CLUTCH MASTER CYLINDER

PS 13

10.4670.18



DESCRIPTION

Clutch master cylinder with incorporated reservoir.
 Construction Material: Aluminium Alloy.
 Operating fluid: brake fluid DOT4.
 Clamp with seat for rearview mirror (Right thread).

Master cylinder BODY color: Black Anodic Oxidation.
 Master cylinder LEVER color: Polishing and Transparent Painting.

TECHNICAL CHARACTERISTICS

Piston diameter: 13.0 mm
 Weight: 0.337 Kg
 Reservoir volume: 21.0 cm³
 Reservoir volume difference between MAX and MIN level: 11.0 cm³

AVAILABLE SPARE PARTS

SPARE PARTS CODE	LEVER	CLAMP	CAP	LEVER PIN	WINDOW
10.4670.18	110.2706.53	110.4372.12	110.4308.60	110.2798.50	110.4533.10

Indicating informations subject to modification.
 For further specifications contact Technical Section.

LAST UPDATE: 24/03/1997