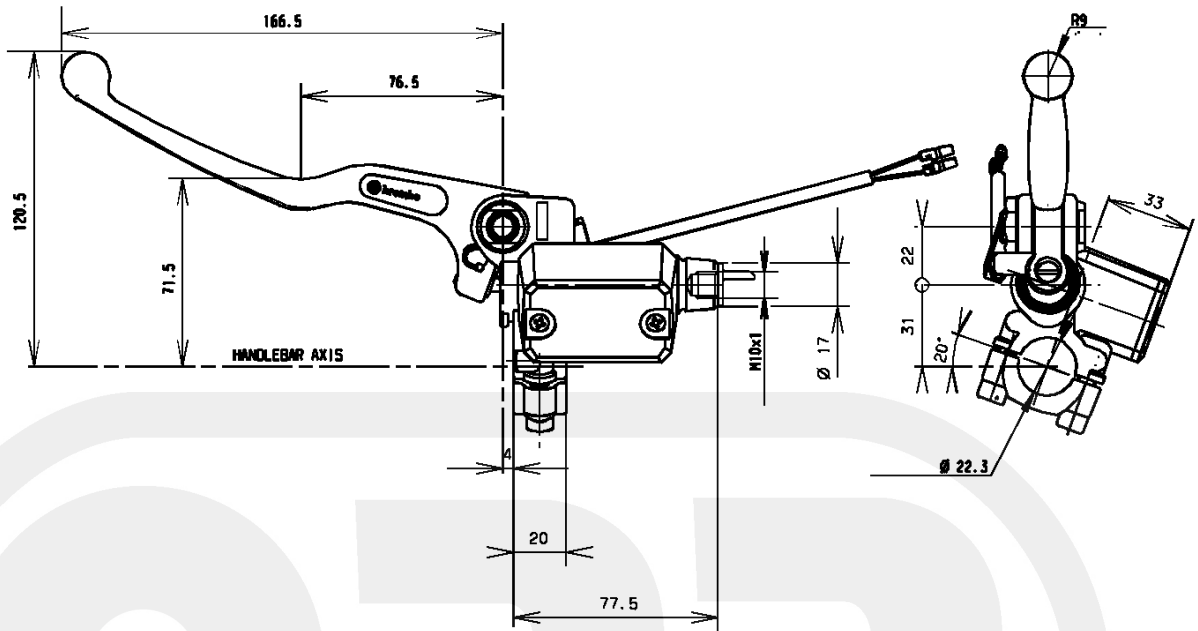




CLUTCH MASTER CYLINDER

PS 13/22

10.4670.21 A



DESCRIPTION

Clutch master cylinder without incorporated reservoir
 Construction material: Aluminium alloy.
 Operating fluid: brake fluid DOT 3-5.
 Master cylinder body color: anodic oxidation black color
 Colore leva: polished and transparent varnished

TECHNICAL CHARACTERISTICS

Piston diameter: 13 mm
 Weight: 0.40 Kg
 Reservoir volume: 21 cm³
 Reservoir volume difference
 between MAX and MIN level: 11 cm³

AVAILABLE SPARE PARTS

SPARE PARTS CODE	LEVER	LEVER PIN	CAP	CLAMP	MICRO	GAUGE LEVEL
10.4670.21	110.4594.55	110.2798.50	110.4308.60	110.4372.12	110.4671.81	110.4533.10

Indicating informations subject to modification.
 For further specifications contact Technical Sections.

LAST UPDATE: 09/05/2003