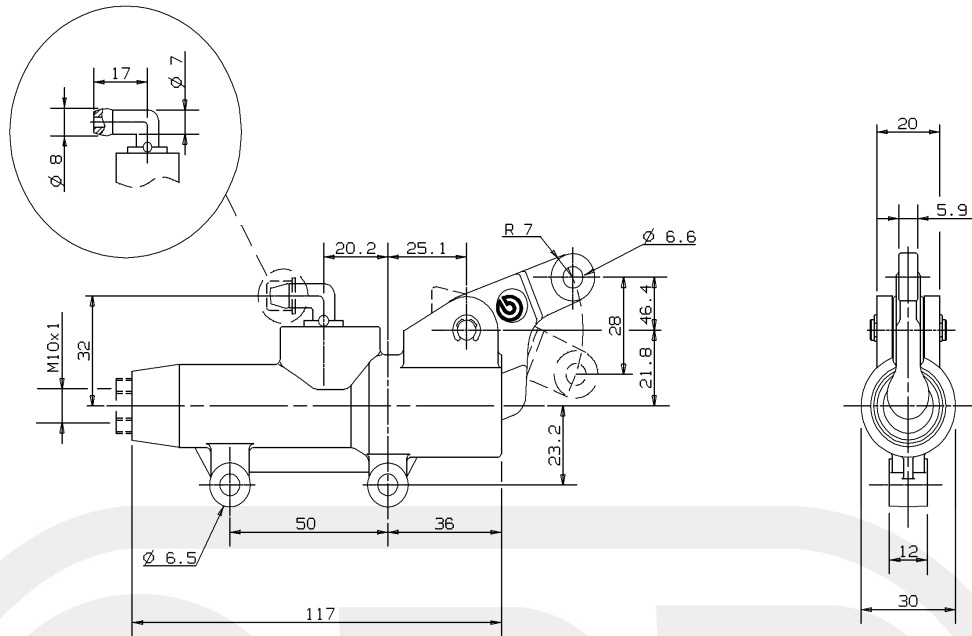




REAR MASTER CYLINDER

PS 16
10.4776.65 A



DESCRIPTION

Rear master cylinder with push rod.
 Construction Material: Aluminium Alloy.
 Operating fluid: brake fluid DOT4.
 Pipe fitting can be oriented
 in the desired position.

Master cylinder
 BODY color: Black Anodic
 Oxidation.
 Master cylinder
 LEVER color: Black Anodic
 Oxidation.

TECHNICAL CHARACTERISTICS

Piston diameter: 16.0 mm
 Weight: 0.212 Kg

SPARE PARTS CODE	LEVER	PIPE FITTING
10.4776.65	110.2788.20	110.3127.20

Indicating informations subject to modification.
 For further specifications contact Technical Section.

LAST UPDATE: 29/08/1994