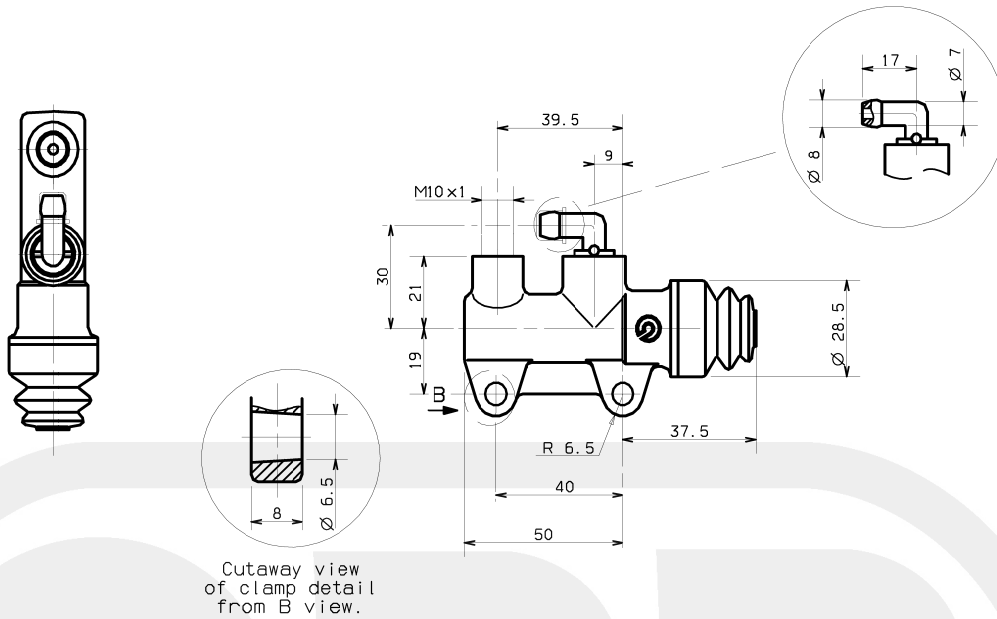


	<h1 style="text-align: center;">REAR MASTER CYLINDER</h1>	PS 11 b
		10.4776.77



DESCRIPTION	
<p>Rear master cylinder without push rod.</p> <p>Construction material: aluminium alloy.</p> <p>Operating fluid: brake fluid DOT 3 - DOT 4 - DOT 5</p> <p>Pipe fitting can be oriented.</p>	<p>Master cylinder BODY color: polishing and anodic oxidation natural color (color before machining)</p>

TECHNICAL CHARACTERISTICS	
Piston diameter:	11.0 mm
Piston and push rod clearance with assembled master cylinder:	1.0 mm
Weight:	0.086 Kg

AVAILABLE SPARE PARTS

SPARE PARTS PUMP CODE	PIPE FITTING	BOOT
10.4776.77	110.3127.20	110.3741.20

Indicating informations subject to modifications.
 For further specifications contact Technical Section.

LAST UPDATE: 28/03/2003