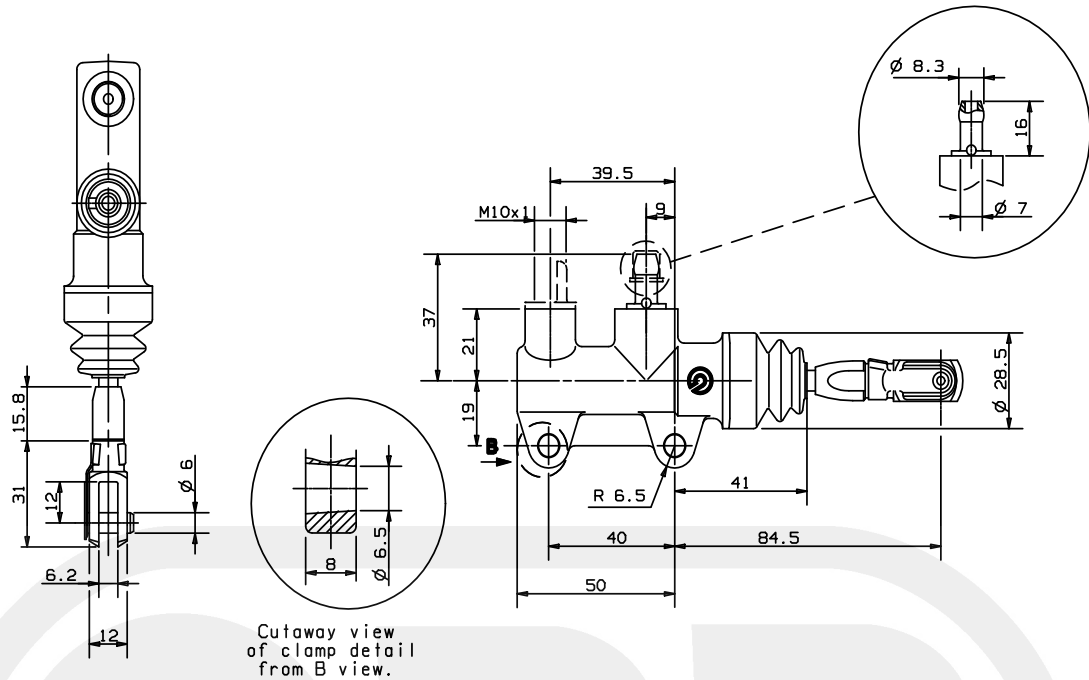




## REAR MASTER CYLINDER

**PS 12 E**  
**10.4776.85**



### DESCRIPTION

Rear master cylinder with push rod.  
 Construction Material: Aluminium Alloy.  
 Operating fluid: brake fluid DOT4.  
 Pipe fitting can be oriented in the desired position.

Master cylinder BODY color: Black Anodic Oxidation.  
 Master cylinder FORK protection: Dacromet (Aluminium color).

### TECHNICAL CHARACTERISTICS

Piston diameter: 12.0 mm  
 Piston and push rod clearance with assembled master cylinder: 1.0 mm  
 Weight: 0.120 Kg  
 Maximum piston stroke: 9.8 mm

### AVAILABLE SPARE PARTS

SPARE PARTS CODE	PIPE FITTING	BOOT	PUSH ROD
10.4776.85	210.3127.10	210.3741.20	110.4266.53

Indicating informations subject to modification.  
 For further specifications contact Technical Section.

LAST UPDATE: 08/11/1996