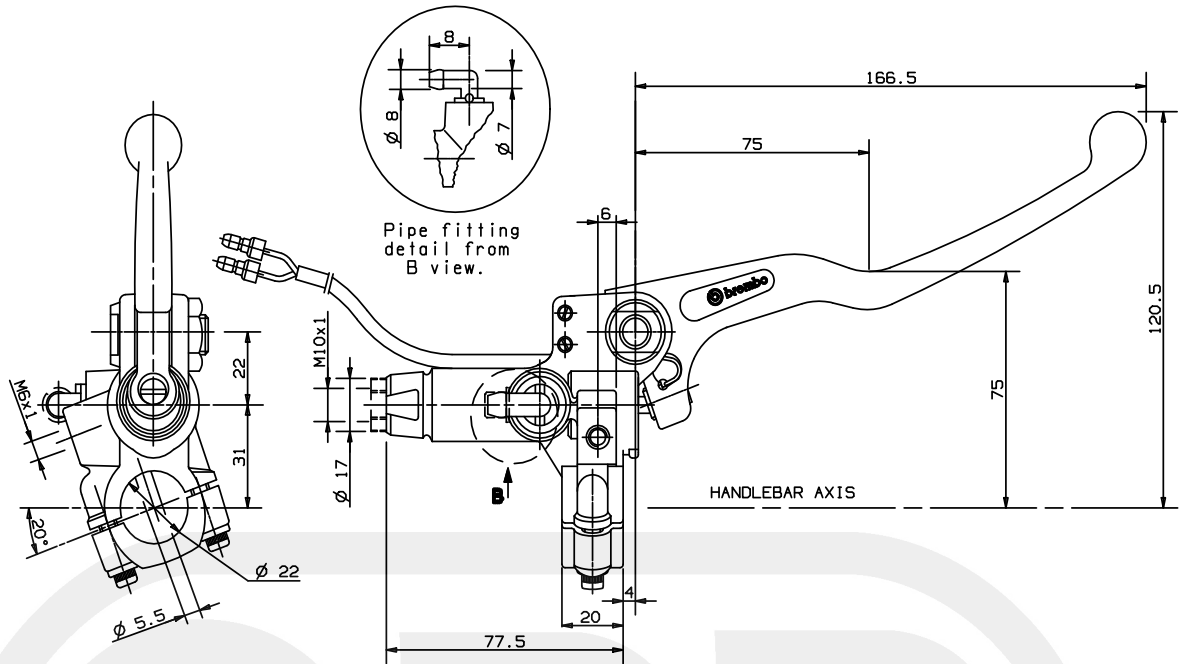


	FRONT MASTER CYLINDER	PS 16
		10.5053.12



DESCRIPTION	
<p>Front master cylinder without incorporated reservoir. Construction Material: Aluminium Alloy. Operating fluid: brake fluid DOT4. Pipe fitting can be oriented in the desired position. Wired microswitch.</p>	<p>Master cylinder BODY color: Gold Anodic Oxidation. Master cylinder LEVER color: Polishing and Transparent Painting.</p>

TECHNICAL CHARACTERISTICS	
Piston diameter:	16.0 mm
Weight:	0.262 Kg

AVAILABLE SPARE PARTS

SPARE PARTS CODE	LEVER	CLAMP	PIPE FITTING	LEVER PIN	MICROSWITCH
10.5053.12	110.2706.53	110.4732.22	110.3127.20	110.2798.50	110.4418.13

Indicating informations subject to modification. For further specifications contact Technical Section. LAST UPDATE: 15/07/1993