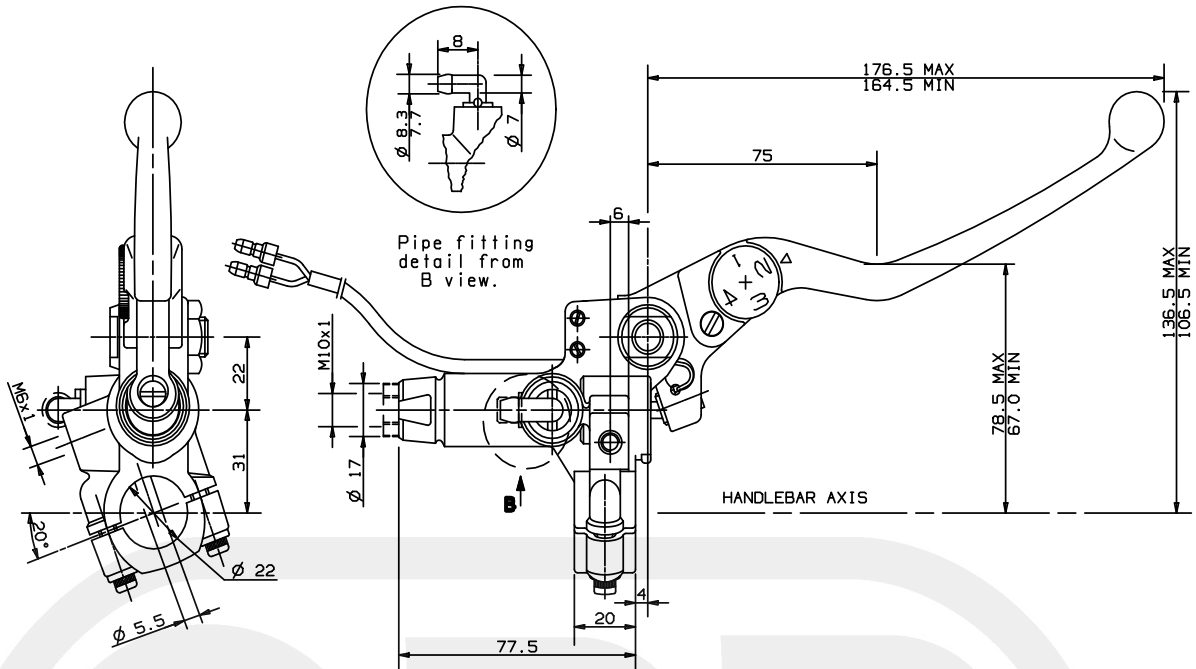




FRONT MASTER CYLINDER

PS 16
10.5053.13



DESCRIPTION

Front master cylinder without incorporated reservoir and adjustable lever opening.
 Construction Material: Aluminium Alloy.
 Operating fluid: brake fluid DOT4.
 Pipe fitting can be oriented in the desired position.
 Wired microswitch.

Master cylinder BODY color: Gold Anodic Oxidation.
 Master cylinder LEVER color: Bronze Anodic Oxidation.

TECHNICAL CHARACTERISTICS

Piston diameter: 16.0 mm
 Weight: 0.306 Kg

AVAILABLE SPARE PARTS

SPARE PARTS CODE	LEVER	CLAMP	PIPE FITTING	LEVER PIN	MICROSWITCH
10.5053.13	110.2706.38	110.4732.22	110.3127.20	110.2798.50	110.4418.13

Indicating informations subject to modification.
 For further specifications contact Technical Section.

LAST UPDATE: 11/01/1994