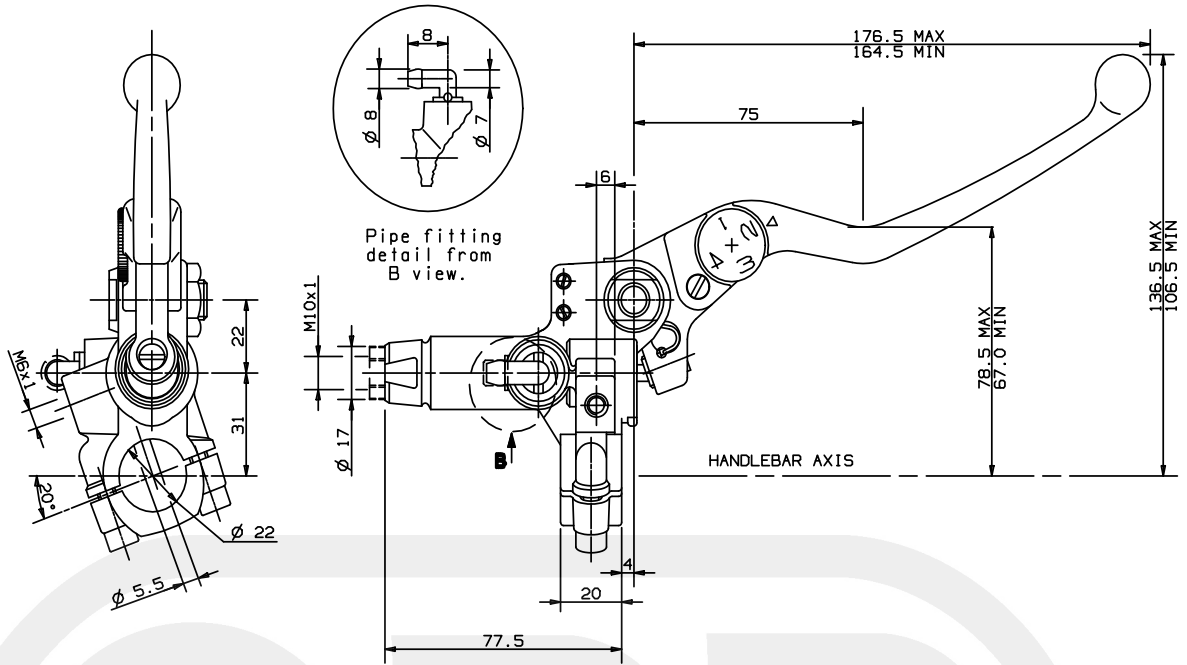




FRONT MASTER CYLINDER

PS 16
10.5053.16



DESCRIPTION

Front master cylinder without incorporated reservoir.
 Construction Material: Aluminium Alloy.
 Operating fluid: brake fluid DOT4.
 Pipe fitting can be oriented in the desired position.

Master cylinder BODY color: Black Anodic Oxidation.
 Master cylinder LEVER color: Polishing and Bright Transparent Powder Painting.

TECHNICAL CHARACTERISTICS

Piston diameter: 16.0 mm
 Weight: 0.265 Kg

AVAILABLE SPARE PARTS

| SPARE PARTS CODE | LEVER | CLAMP | PIPE FITTING | LEVER PIN |
|------------------|-------------|-------------|--------------|-------------|
| 10.5053.16 | 110.2706.37 | 110.4732.12 | 110.3127.20 | 110.2798.50 |

Indicating informations subject to modification.
 For further specifications contact Technical Section.

LAST UPDATE: 01/09/1994