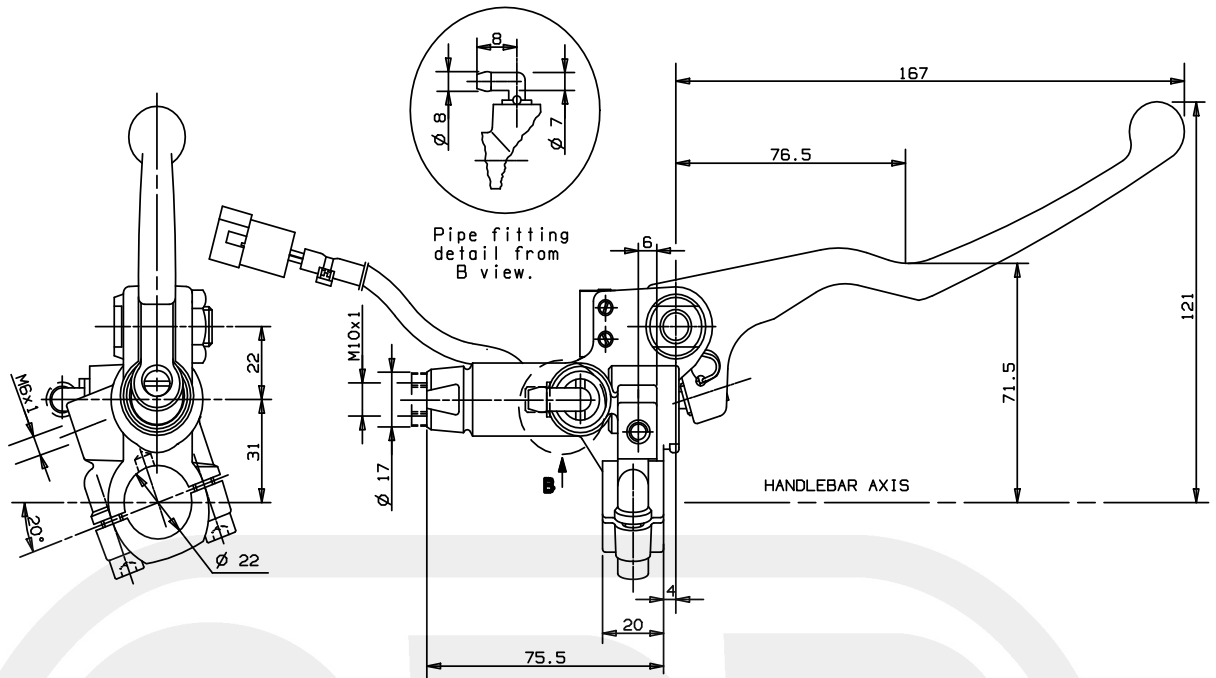




FRONT MASTER CYLINDER

PS 13
10.5053.53



DESCRIPTION

Front master cylinder without incorporated reservoir.
 Construction Material: Aluminium Alloy.
 Operating fluid: brake fluid DOT4.
 Pipe fitting can be oriented in the desired position.
 Wired microswitch.

Master cylinder BODY color: Black Anodic Oxidation.
 Master cylinder LEVER color: Polished.

TECHNICAL CHARACTERISTICS

Piston diameter: 13.0 mm
 Weight: 0.270 Kg

AVAILABLE SPARE PARTS

SPARE PARTS CODE	LEVER	CLAMP	PIPE FITTING	LEVER PIN	MICROSWITCH
10.5053.53	110.2706.80	110.4732.12	110.3127.20	110.2798.50	110.4418.18

Indicating informations subject to modification.
 For further specifications contact Technical Section.

LAST UPDATE: 08/05/1995