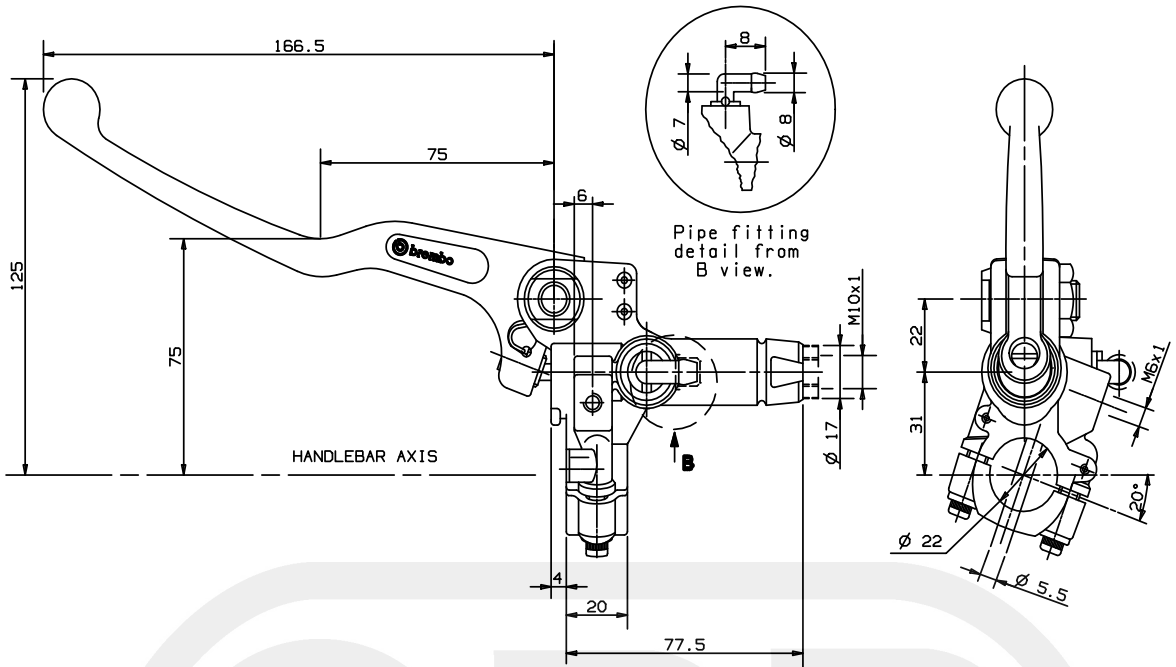




CLUTCH MASTER CYLINDER

PS 13

10.5065.12



DESCRIPTION

Clutch master cylinder without incorporated reservoir.
Construction Material: Aluminium Alloy.
Operating fluid: brake fluid DOT4.
Pipe fitting can be oriented in the desired position.

Master cylinder BODY color: Gold Anodic Oxidation.
Master cylinder LEVER color: Polishing and Transparent Painting.

TECHNICAL CHARACTERISTICS

Piston diameter: 13.0 mm
Weight: 0.256 Kg

AVAILABLE SPARE PARTS

SPARE PARTS CODE	LEVER	CLAMP	PIPE FITTING	LEVER PIN
10.5065.12	110.2706.53	110.4372.22	110.3127.20	110.2798.50

Indicating informations subject to modification.
For further specifications contact Technical Section.

LAST UPDATE: 15/07/1993