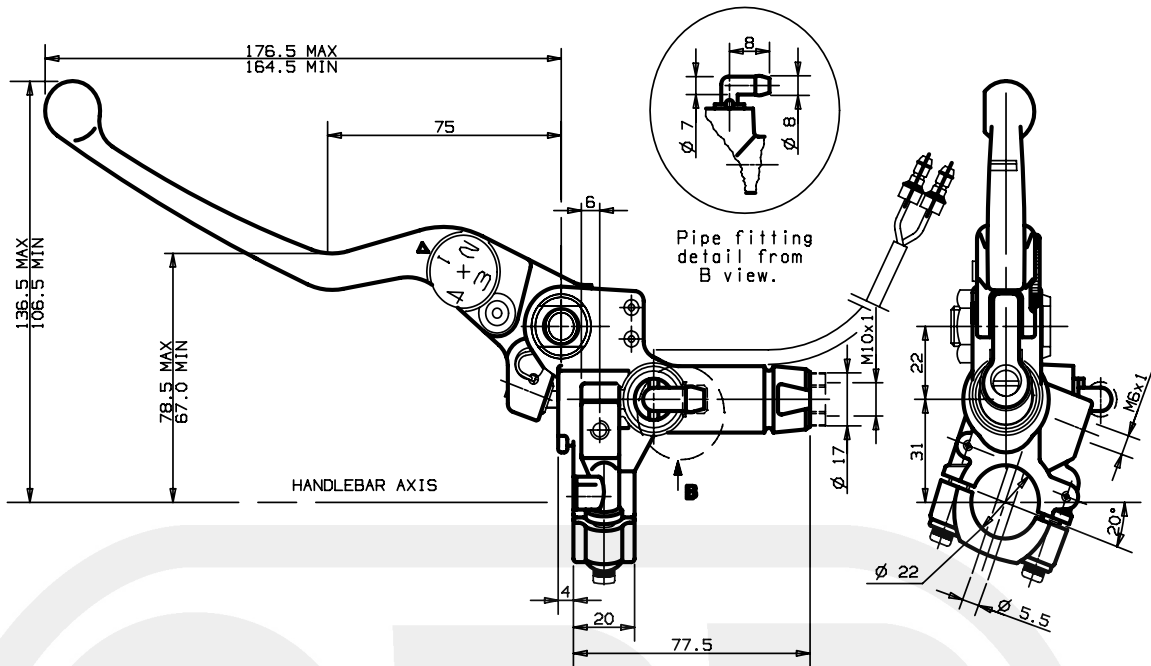




# CLUTCH MASTER CYLINDER

**PS 12**  
**10.5065.27**



## DESCRIPTION

Clutch master cylinder without incorporated reservoir.  
 Construction Material: Aluminium Alloy.  
 Operating fluid: brake fluid DOT4.  
 Pipe fitting can be oriented in the desired position.

Master cylinder BODY color: Gold Anodic Oxidation.  
 Master cylinder LEVER color: Black Painting.

## TECHNICAL CHARACTERISTICS

Piston diameter: 12.0 mm  
 Weight: 0.298 Kg

## AVAILABLE SPARE PARTS

SPARE PARTS CODE	LEVER	CLAMP	PIPE FITTING	LEVER PIN
10.5065.27	110.5231.36	110.4732.34	110.3127.20	110.2798.50

Indicating informations subject to modification.  
 For further specifications contact Technical Section.

LAST UPDATE: 02/10/2000