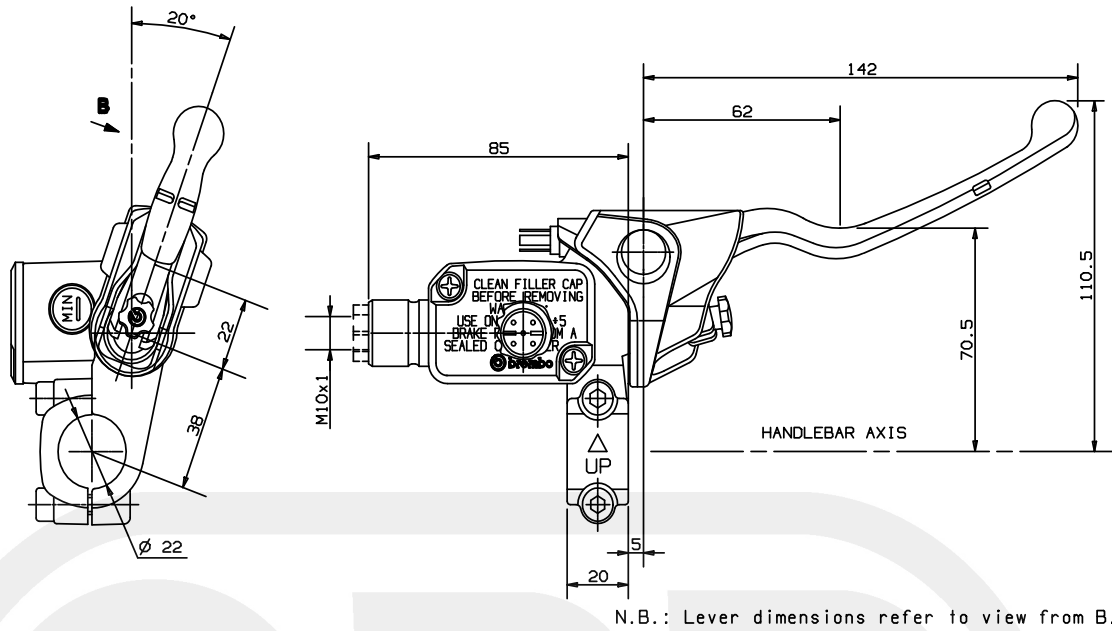


	<b>FRONT MASTER CYLINDER</b>	<b>PS 11 A</b>	
		<b>10.5393.50</b>	<b>E</b>



### DESCRIPTION

Front master cylinder with incorporated reservoir.  
 Construction Material: Aluminium Alloy.  
 Operating fluid: brake fluid DOT4.  
 Nipple for clamp protection.  
 Microswitch.

Master cylinder  
 BODY color: Black Painting.  
 Master cylinder  
 LEVER color: Polished.

### TECHNICAL CHARACTERISTICS

Piston diameter: 11.0 mm  
 Weight: 0.300 Kg  
 Reservoir volume: 18.5 cm<sup>3</sup>  
 Reservoir volume difference between MAX and MIN level: 12.5 cm<sup>3</sup>

### AVAILABLE SPARE PARTS

SPARE PARTS CODE	LEVER	CLAMP	CAP	LEVER PIN	WINDOW	MICROSWITCH	NIPPLE	ANTI-BUBBLE	ADJUSTER
10.5393.50	110.2706.83	110.4372.20	110.4308.11	110.2798.11	110.4533.10	110.4418.20	110.3530.50	110.4771.10	110.5717.10

Indicating informations subject to modification.  
 For further specifications contact Technical Section.

LAST UPDATE: 18/05/1995