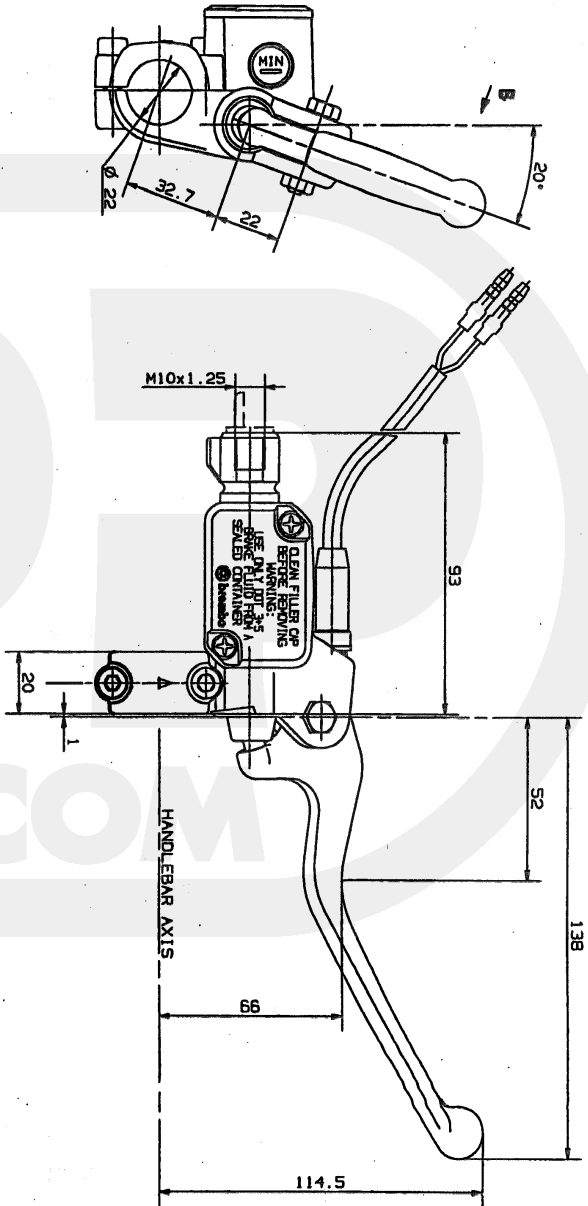




FRONT MASTER CYLINDER

PS 11
10.5393.66



N.B.: Lever dimensions refer to view from B.

DESCRIPTION

Front master cylinder with incorporated reservoir.
 Construction Material: Aluminium Alloy.
 Operating fluid: brake fluid DOT4.
 Microswitch.

Master cylinder
 BODY color:
 Master cylinder
 LEVER color:

Black Painting.
 Black Painting.

TECHNICAL CHARACTERISTICS

Piston diameter: 11.0 mm
 Weight: 0.300 Kg
 Reservoir volume: 18.5 cm³
 Reservoir volume difference between MAX and MIN level: 12.5 cm³

NOT AVAILABLE

AVAILABLE SPARE PARTS

SPARE PARTS CODE	LEVER	CLAMP	CAP	LEVER PIN	WINDOW	MICROSWITCH
10.5393.66	110.2706.78	110.4372.35	110.4308.21	110.2798.13	110.4533.10	110.4418.19

Indicating informations subject to modification.
 For further specifications contact Technical Section.

LAST UPDATE: 24/05/1999