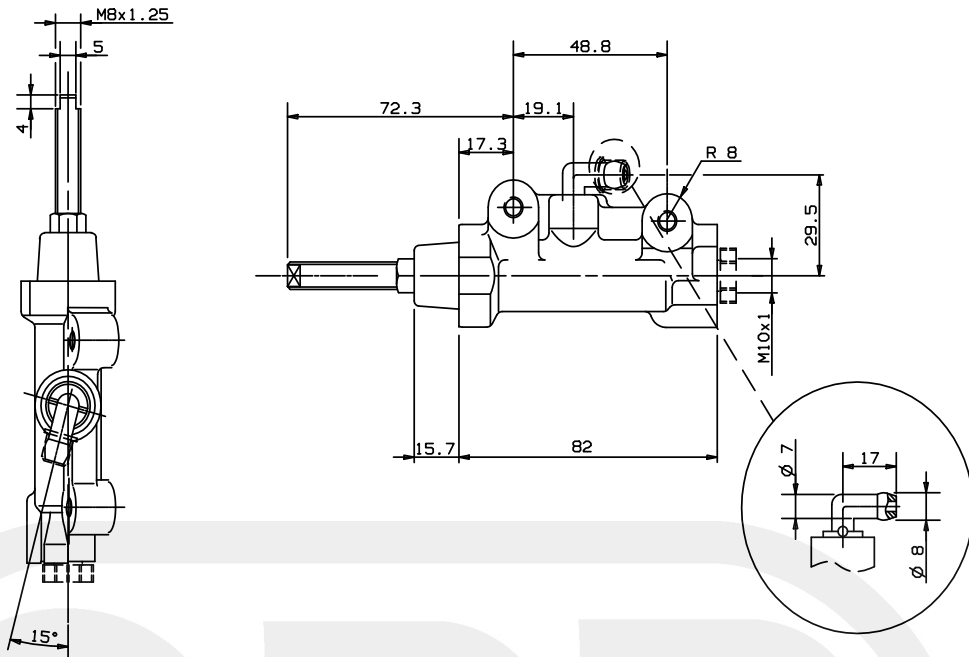


	REAR MASTER CYLINDER	PS 12.7 E	
		10.5556.10	C



DESCRIPTION

Rear master cylinder with push rod.
 Construction Material: Aluminium Alloy.
 Operating fluid: brake fluid DOT4.
 Pipe fitting can be oriented
 in the desired position.

Master cylinder
 BODY color: Black Anodic
 Oxidation.
 Master cylinder
 PUSH ROD color: Yellow.

TECHNICAL CHARACTERISTICS

Piston diameter: 12.7 mm
 Weight: 0.110 Kg
 Maximum piston stroke: 13.7 mm

SPARE PARTS	BOOT
CODE	
10.5556.10	110.4963.10

Indicating informations subject to modification.
 For further specifications contact Technical Section.

LAST UPDATE: 03/11/1994