

LAST UPDATE: 27/01/1994

Indicating informations subject to modification.
 For further specifications contact Technical Section.

10.5800.10	110.4594.61	110.4594.63
CODE	LONG LEVER	STRAIGHT LEVER
SPARE PARTS		

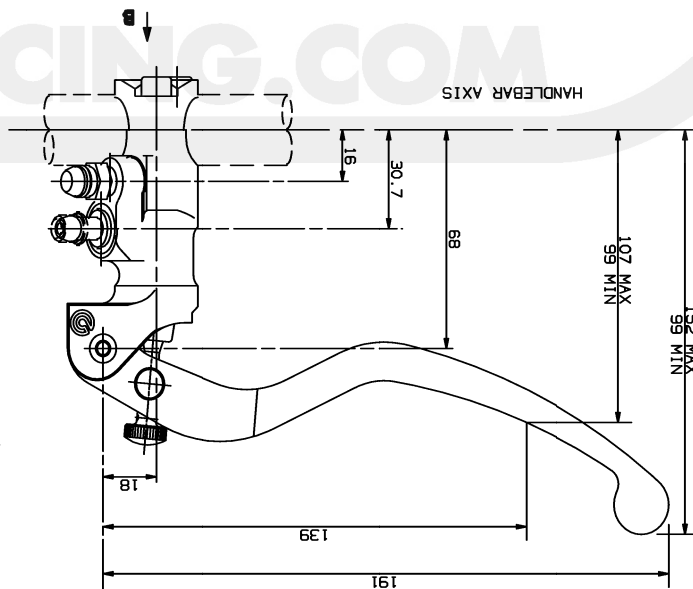
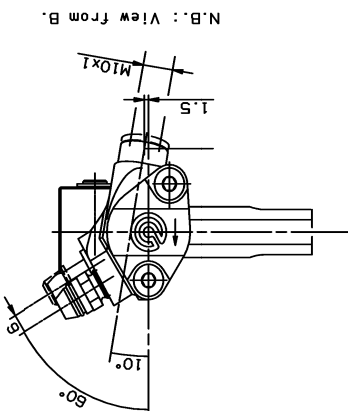
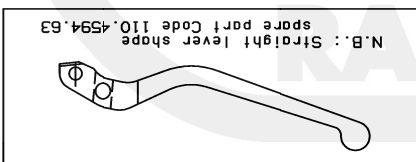
AVAILABLE SPARE PARTS

TECHNICAL CHARACTERISTICS
Piston diameter: 16.0 mm
Weight: 0.286 Kg
Distance between centers: 18.0 mm

DESCRIPTION

Clutch master cylinder without incorporated reservoir, machined by forging.
 Possibility to adjust lever opening.
 Construction Material: Aluminum Alloy
 Hard Oxidation.
 Operating fluid: fluid brake DOT4.
 Master cylinder equipped with lever
 Code 110.4594.61

Master cylinder
 BODY color: Colore Racing.
 LEVER color: Black Anodic Oxidation.



	CLUTCH MASTER CYLINDER		10.5800.10
	PR 16 A		