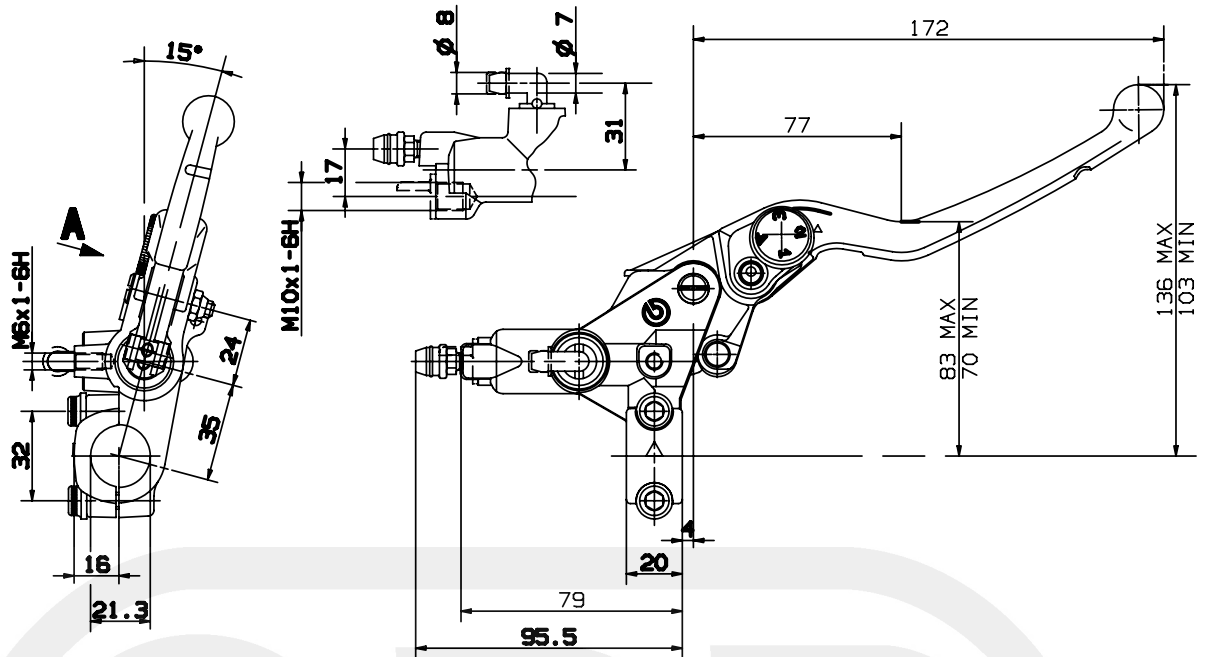




FRONT MASTER CYLINDER

PSC 15
10.6870.18



N.B.: Lever dimension refer to view from A

DESCRIPTION

Front master cylinder without incorporated reservoir
 Construction material:alluminium alloy.
 Operating fluid:brake fluid DOT 4

Master cylinder body color: Anodic oxidation gold color
 Lever color: Polished and trasparent varnished
 Lever axis distance:25

TECHNICAL CHARACTERISTICS

Piston diameter: 15.0 mm
 Weight: 0.310 Kg

AVAILABLE SPARE PARTS

SPARE PARTS CODE	LEVER	CLAMP	CONNECTION	LEVER PIN	MICROSWITCH
10.6870.18	110.2706.46	110.4372.50	110.3127.20	110.2798.14	110.4418.21

Indicating informations subject to modification.
 For further specifications contact Technical Section.

LAST UPDATE:04/10/2000