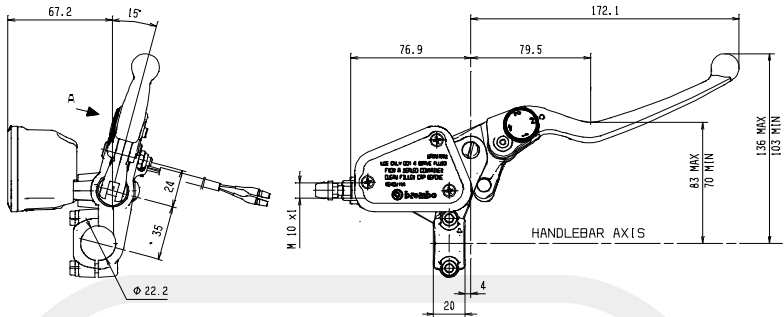




FRONT MASTER CYLINDER

PSC 16/24

10.6870.41



N.B.: Lever dimensions refer to view A.

DESCRIPTION

Front master cylinder with incorporated reservoir
 Master cylinder body and clamp: Aluminium alloy
 Reservoir: Injected plastic
 Reservoir cap: Aluminium alloy
 Clamp without seat for rearview mirror
 Microswitch: Normally closed
 Operating fluid: Brake fluid DOT4

Master cylinder body and clamp color:
 Black anodic oxidation
 Lever color: Polishing and transparent painting
 Reservoir color: White
 Cap color: Black painting
 Pin and bolting color: Black color zinc plate

TECHNICAL CHARACTERISTICS

Piston diameter: 16.0 mm
 Dead travel piston: 0.75 mm
 Lever axis distance: 24.0 mm
 Reservoir volume: 48.0 cm³
 Reservoir volume difference between MAX and MIN level: 32.0 cm³
 Weight: - Kg

AVAILABLE SPARE PARTS

SPARE PARTS CODE	MICROSWITCH	CLAMP	LEVER PIN	RESERVOIR	CAP	LEVER	MASTER CYLINDER
10.6870.41	110.4418.21	110.4372.66	110.2798.14	110.4446.65	110.2704.82	110.2706.57	110.6870.04

Indicating information subject to modification
 For further specifications contact Technical Section

LAST UPDATE: 16/04/2003