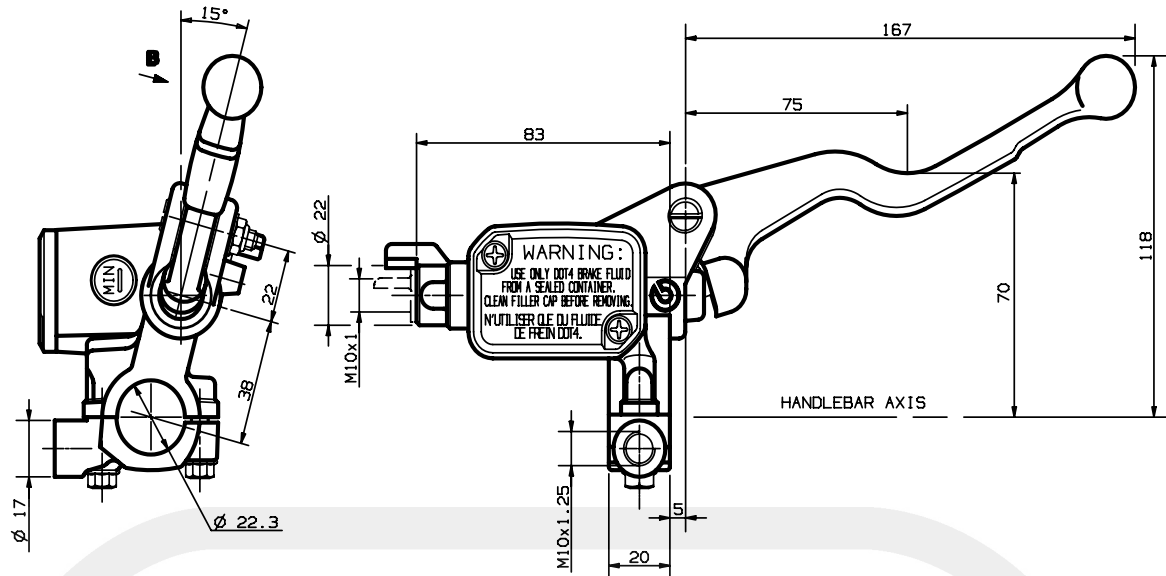


	FRONT MASTER CYLINDER	PS 13
		10.6880.32



N.B.: Lever dimensions refer to view from B.

DESCRIPTION					
Front master cylinder with incorporated reservoir. Construction Material: Aluminium Alloy. Operating fluid: brake fluid DOT4. Clamp with seat for rearview mirror (Right thread).	<table border="0"> <tr> <td style="padding-right: 10px;">Master cylinder BODY color:</td> <td>Black Anodic Oxidation.</td> </tr> <tr> <td>Master cylinder LEVER color:</td> <td>Polishing and transparent painting.</td> </tr> </table>	Master cylinder BODY color:	Black Anodic Oxidation.	Master cylinder LEVER color:	Polishing and transparent painting.
Master cylinder BODY color:	Black Anodic Oxidation.				
Master cylinder LEVER color:	Polishing and transparent painting.				

TECHNICAL CHARACTERISTICS	
Piston diameter:	13.0 mm
Weight:	0.350 Kg
Reservoir volume:	25.0 cm ³
Reservoir volume difference between MAX and MIN level:	12.5 cm ³

AVAILABLE SPARE PARTS

SPARE PARTS CODE	LEVER	CLAMP	CAP	LEVER PIN	WINDOW
10.6880.32	110.4894.31	110.4372.41	110.4308.17	110.2798.14	110.4533.10

Indicating informations subject to modification.
 For further specifications contact Technical Section.

LAST UPDATE: 15/11/2000