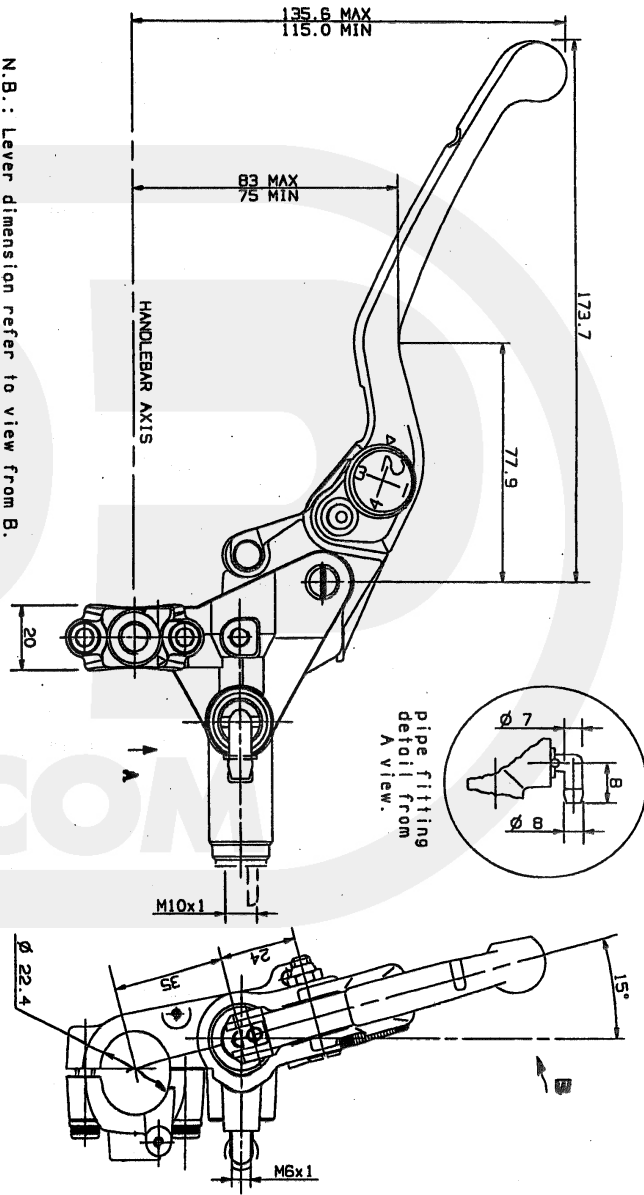


**Brembo**

**CLUTCH MASTER CYLINDER**

**PSC 12**

**10.6940.25**



N.B.: Lever dimension refer to view from B.

**DESCRIPTION**

Front master cylinder without incorporated reservoir.  
 Construction Material: Aluminium Alloy.  
 Operating fluid: brake fluid DOT4.  
 Pipe fitting can be oriented in the desired position.

Master cylinder BODY color: Gold Anodic Oxidation.  
 Master cylinder LEVER color: Polishing and Transparent painting.

**TECHNICAL CHARACTERISTICS**

Piston diameter: 13.0 mm  
 Weight: 0.315 Kg

**AVAILABLE SPARE PARTS**

SPARE PARTS CODE	LEVER	CLAMP	PIPE FITTING	LEVER PIN
10.6940.25	110.2706.47	110.4372.54	110.3127.20	110.2798.15

Indicating informations subject to modification.  
 For further specifications contact Technical Section.

LAST UPDATE: 21/07/1999