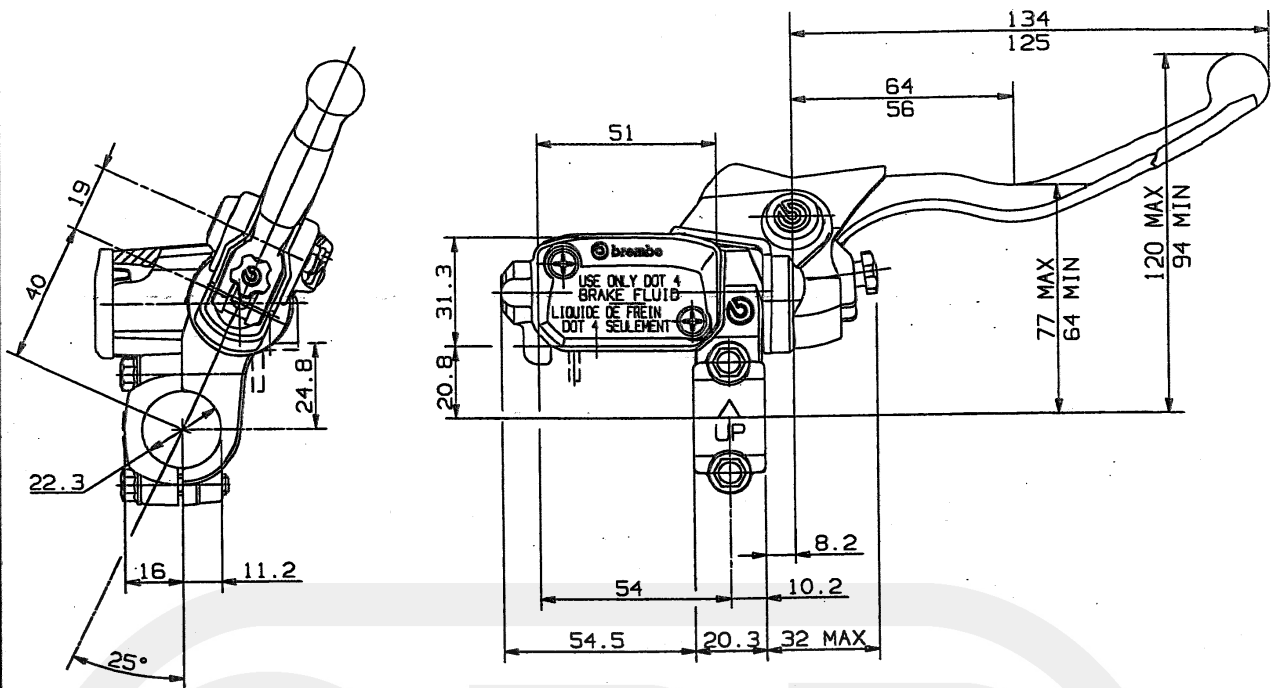


	FRONT MASTER CYLINDER	PS 11	
		10.7677.50	A



DESCRIPTION

Front master cylinder with incorporated reservoir.
 Construction material: Aluminium Alloy.
 Operating fluid: brake fluid DOT4.

Master cylinder body color: anodic oxidation natural color
 Lever color: Polished
 Lever axis distance: 19

TECHNICAL CHARACTERISTICS

Piston diameter: 11.0 mm
 Weight: 0.280 Kg
 Reservoir volume: 13.0 cm³

AVAILABLE SPARE PARTS

SPARE PARTS CODE	LEVER	CLAMP	CAP	LEVER PIN	WINDOW	DUST COVER
10.7677.50	110.4594.92	110.2815.22	110.2704.77	110.2798.13	110.4533.10	110.3530.51
	ANTI-BUBBLE	ADJUSTER	PISTON SET. W/C			
	110.4771.10	110.5717.11	110.7677.02			

Indicating informations subject to modification.
 For further specifications contact Technical Section.

LAST UPDATE: 19/07/1999