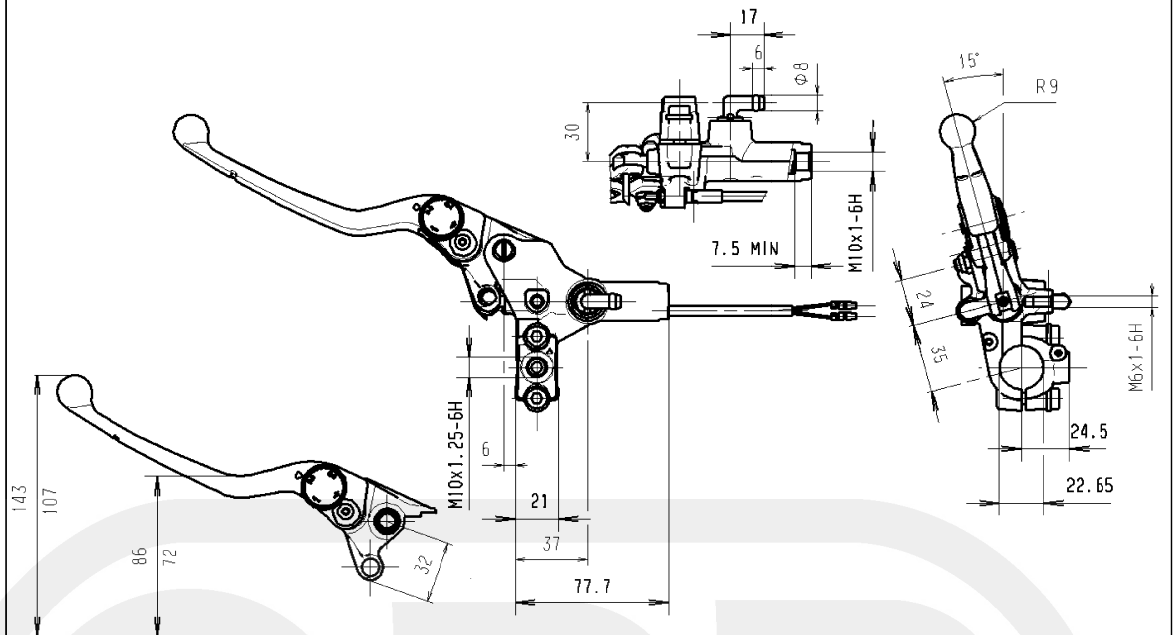


	CLUTCH MASTER CYLINDER	PSCMCL 12/25 <hr/> 10.9785.10
---	------------------------	----------------------------------



DESCRIPTION	
Clutch master cylinder without reservoir Adjustable lever. Operating fluid:DOT 4. Adjustable pipe fitting. Micro	Material master cylinder body-clamp: aluminium alloy Color master cylinder body-clamp: gold anodic oxidation small metallic parts:yellow zinc plate Lever:polished and trasparent painting

TECHNICAL CHARACTERISTICS	
Piston diameter:	12 mm
Piston idle stroke (nominal value):	0.9 mm
Piston travel max:	15.5 mm
Weight:	0.310 kg

AVAILABLE SPARE PARTS

SPARE PARTS PUMP CODE	LEVER	CLAMP	CONNECTION	LEVER PIN	MICRO
10.9785.10	110.9500.57	110.4372.54	110.3127.20	110.2798.15	110.4671.84

Indicating information subject to modifications. For further specifications contact Technical Sections.	LAST UPDATE: 04/07/05
--	-----------------------