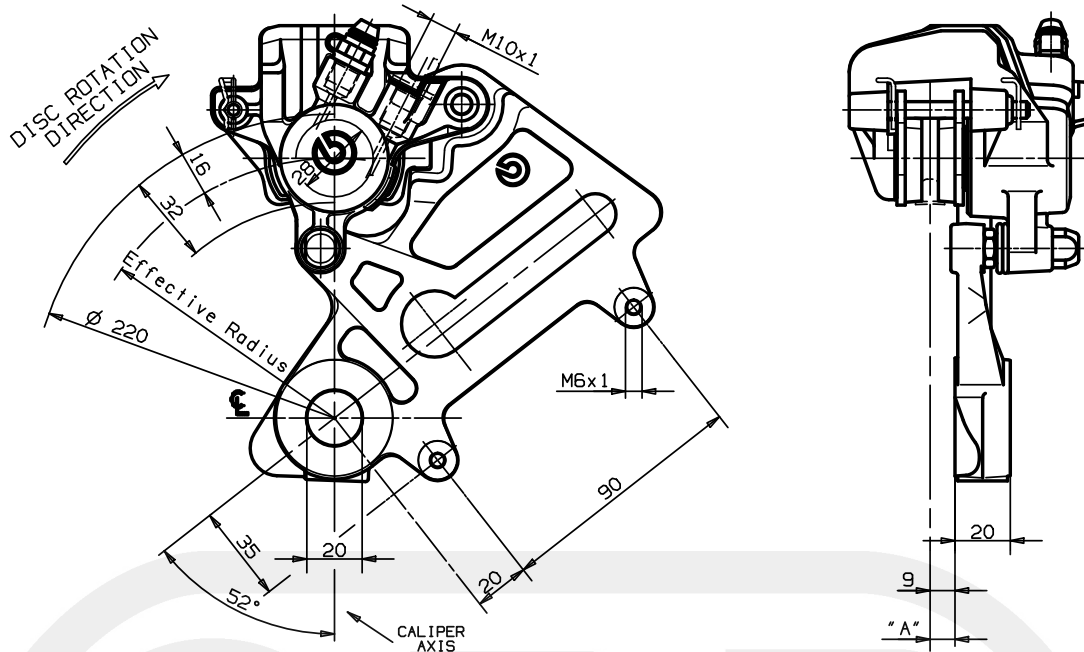




FLOATING CALIPER

PF 28 a

22.2180.20

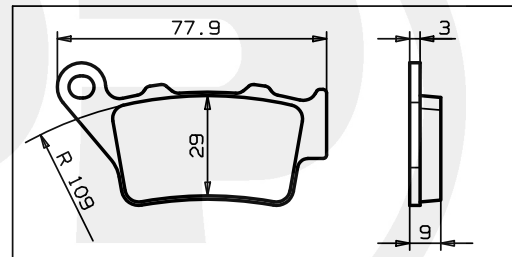


DESCRIPTION

Floating caliper with 1 piston.
Caliper's body slides on one bracket.
Pads are supported by one pin and one bracket.
Construction Material: Aluminium Alloy.
Operating fluid: brake fluid DOT 3+4.

N.B.: drawing shows right side.
Mounting side behind the fork.

PADS SHAPE AND DIMENSIONS



TECHNICAL CHARACTERISTICS

Pistons number and diameter:	1 28 mm	Average pad surface (1 pad):	14.75 cm ²
MAX working pressure:	70 bar	Weight (with sintered pads):	0.938 kg
A) Disc position (TOLERANCE):	±0.5 mm		
Usable disc diameter:	220 mm		

CONFIGURATION

COD. PINZA / CARATT.	PADS FRICTION MATERIAL	BODY COLOR	BRACKET COLOR	MOUNT SIDE	USABLE DISCS THICKNESS	BRAKE FLUID FOR PADS WEAR
22.2180.20	TOSHIBA TT H38 GF	NATURAL	NATURAL	RH	4.0 mm 5.0 mm	7.7 cm ³

AVAILABLE SPARE PARTS

COD. PINZA / RICAMBI	PADS	PIN/RETAINER	BLEEDER SCREW	DUST COVER	SPRING/STEEL CLIP	BOOTS
22.2180.20	107.5552.70	122.5089.26	105.3387.60	105.1502.20	120.4683.22	122.4746.14

Indicating informations subject to modification.
For further specifications contact Technical Section.

LAST UPDATE: 29/02/2000