

tca.gt

-B6-*

suzuki chain adjuster



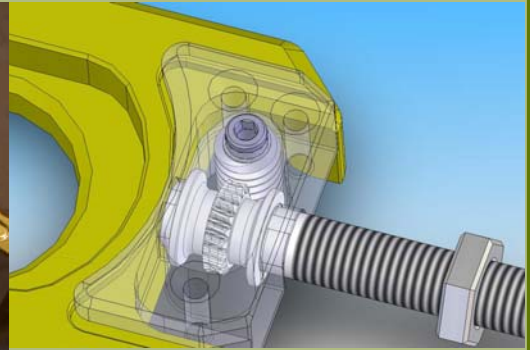
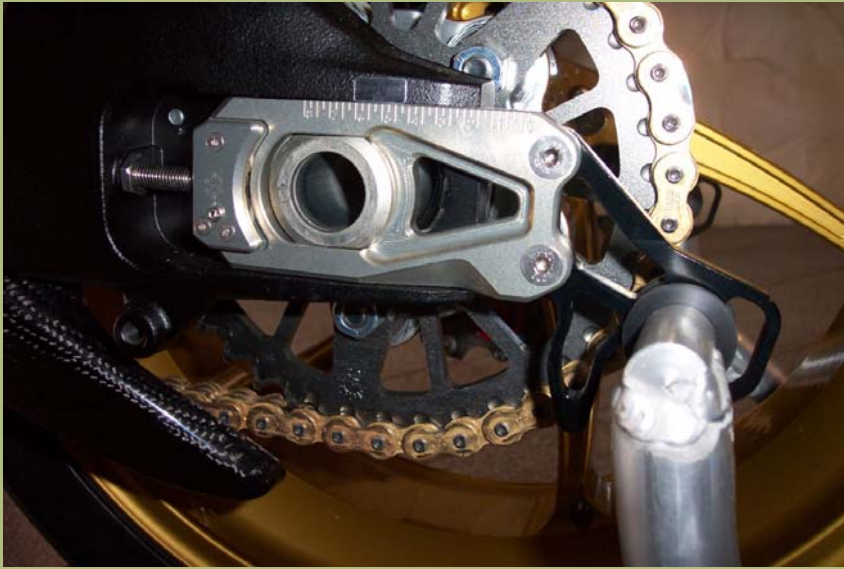
vers. 10 / 08



tca.gt chain adjuster

gilles.tooling

* B = black, G = gold, T = titanium



features

- brilliant gilles.tooling design
- unique, innovative chain adjuster
- high-precision chain adjustment by graded scale
- by applying the scale you can compensate serial tolerances
- rear wheel position can be read off in „mm“
- easier rear wheel installation
- braces the axle against compressive- and tensile load
- optional lifter and stand bolts to jack up the bike easily
- optional crash pads to protect axle and swing arm
- easy installation
- available in different precious hard anodized colors

gilles.tooling



gilles.tooling