

# ip.gt frame slider

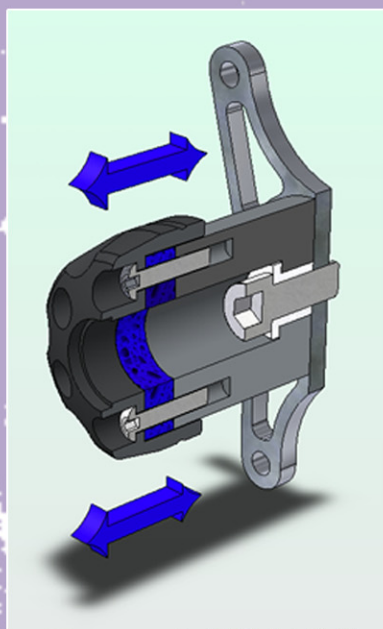


vers. 02 / 09



gilles.tooling

ip.gt frame slider



## features

- patented, innovative crash pad
- brilliant gilles.tooling design
- crash cap made of special plastic for best sliding characteristics
- progressive impact inlay
- bike specific, flexible frame mounting parts

## functions

- progressive impact inlay prevents major damage
- reduced risk of frame and engine damage
- crash cap has high abrasion resistance – long lasting
- easy mounting
- wide range of models with specific mounting kits
- also available as economically priced universal kit

