

RS503 INSTRUCTIONS

TO BE INSTALLED BY A CERTIFIED MECHANIC ONLY
FOR RACE USE ONLY

800.440.3559 | WWW.VORTEXRACING.COM



-Apply grease to all bearings and use a thread locking agent on all bolts.

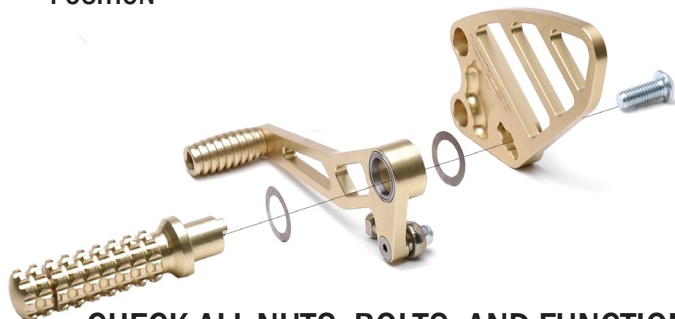
Thank You for purchasing VORTEX Rear Sets!

These Rear Sets are intended for race use only and should be installed by a certified mechanic. Your new Rear-Sets adjust from the stock position to 20mm up, 20mm back. Each adjustment hole moves in 10mm increments. You can also go up to 20mm LOWER than stock by reversing (switching from left and right sides) the relocater brackets (RS503AR and RS503DR).



STOCK
POSITION

1. Install one stainless steel shim on each side of the brake & shift lever.
2. Apply grease to all bearings & use a thread locking agent on all bolts.
3. Rear sets come with 2 different length shift rods. Footpeg position determines which shift rod you will utilize.
4. For reverse (GP) shifting pattern, turn shift knuckle upside down before attaching the Vortex shift rod.



CHECK ALL NUTS, BOLTS, AND FUNCTION OF BRAKE SYSTEM PRIOR TO RIDING MOTORCYCLE

IMPORTANT INFORMATION ABOUT YOUR BRAKE LIGHT

Although VORTEX Rear-Sets are designed for race use, if you would like to retain rear brake light functionality from the rear brake lever please order the in-line pressure switch, VORTEX Part #RS100 through your dealer or www.vortexracing.com

RS503 INSTRUCTIONS

TO BE INSTALLED BY A CERTIFIED MECHANIC ONLY
FOR RACE USE ONLY

800.440.3559 | WWW.VORTEXRACING.COM



-Apply grease to all bearings and use a thread locking agent on all bolts.

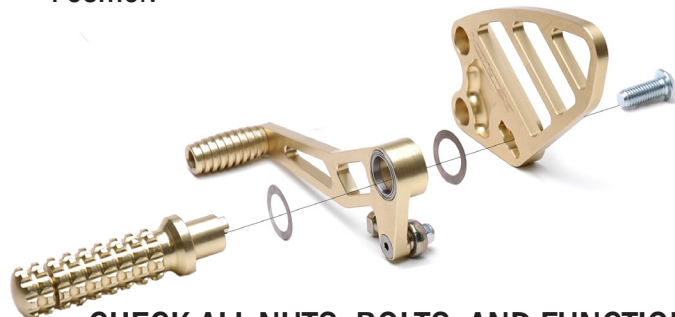
Thank You for purchasing VORTEX Rear Sets!

These Rear Sets are intended for race use only and should be installed by a certified mechanic. Your new Rear-Sets adjust from the stock position to 20mm up, 20mm back. Each adjustment hole moves in 10mm increments. You can also go up to 20mm LOWER than stock by reversing (switching from left and right sides) the relocater brackets (RS503AR and RS503DR).



STOCK
POSITION

1. Install one stainless steel shim on each side of the brake & shift lever.
2. Apply grease to all bearings & use a thread locking agent on all bolts.
3. Rear sets come with 2 different length shift rods. Footpeg position determines which shift rod you will utilize.
4. For reverse (GP) shifting pattern, turn shift knuckle upside down before attaching the Vortex shift rod.



CHECK ALL NUTS, BOLTS, AND FUNCTION OF BRAKE SYSTEM PRIOR TO RIDING MOTORCYCLE

IMPORTANT INFORMATION ABOUT YOUR BRAKE LIGHT

Although VORTEX Rear-Sets are designed for race use, if you would like to retain rear brake light functionality from the rear brake lever please order the in-line pressure switch, VORTEX Part #RS100 through your dealer or www.vortexracing.com