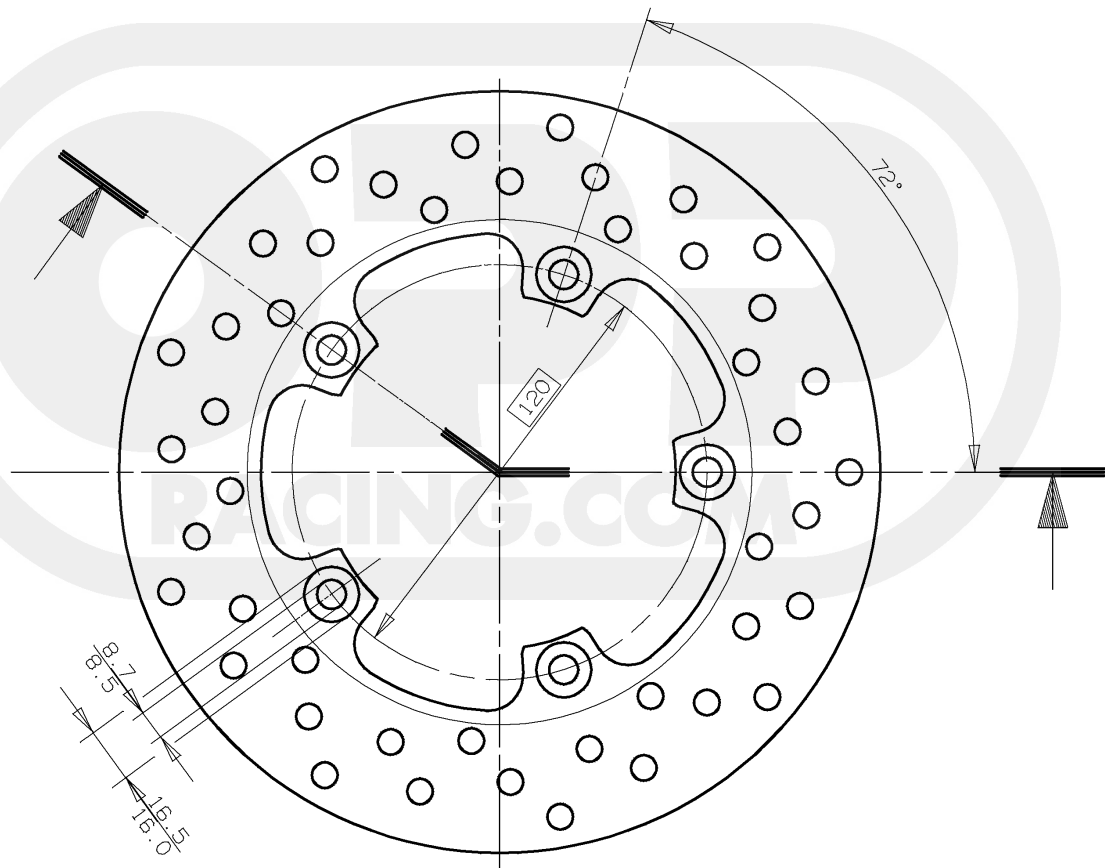
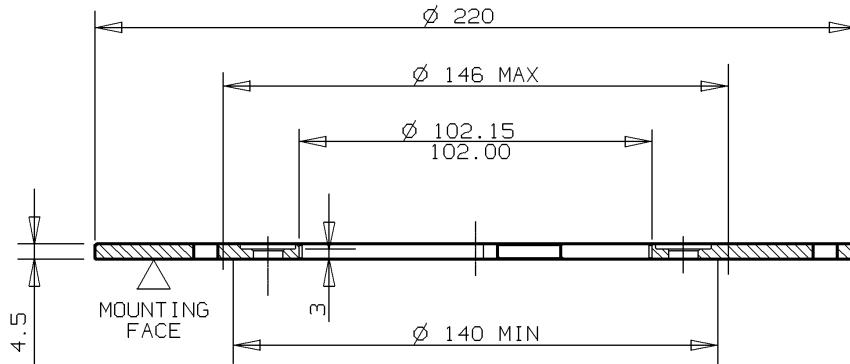




BRAKE DISC

DP 220
08.4899.23 C



NOTE: minimum thickness value engraved on disc.

CHARACTERISTIC

MOUNTING BELL MATERIAL	MOUNTING BELL FINISHING	BRAKING SURFACE MATERIAL	BRAKING SURFACE FINISHING	MINIMUM THICKNESS	WEIGHT
Steel	Natural Steel	Steel	Natural Steel	4 mm	0,8 Kg

Indicating informations subject to modification.
 For further specifications contact Technical Section.

LAST UPDATE : 08/11/1996