

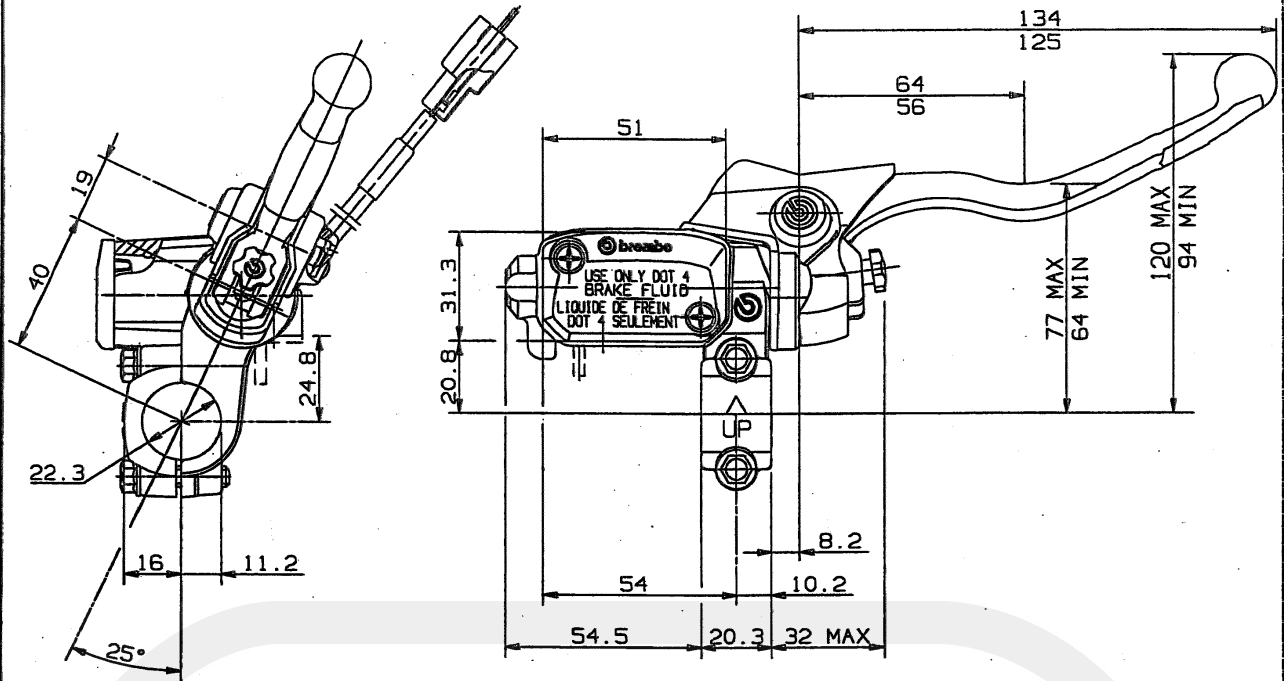


FRONT MASTER CYLINDER

PS 11

10.7677.51

A



DESCRIPTION

Front master cylinder with incorporated reservoir.
Construction material: Aluminium Alloy.
Operating fluid: brake fluid DOT4.
Microswitch

Master cylinder body color: anodic oxidation natural color
Lever color: Polished
Lever axis distance: 19

TECHNICAL CHARACTERISTICS

Piston diameter: 11.0 mm
Weight: 0.280 Kg
Reservoir volume: 13.0 cm³

AVAILABLE SPARE PARTS

SPARE PARTS CODE	LEVER	CLAMP	CAP	LEVER PIN	WINDOW	DUST COVER
10.7677.51	110.4594.93	110.2815.22	110.2704.77	110.2798.13	110.4533.10	110.3530.51
	ANTI-BUBBLE	ADJUSTER	PISTON SET. M/C	MICROSWITCH		
	110.4771.10	110.5717.12	110.7677.01	110.4671.71		

Indicating informations subject to modification.
For further specifications contact Technical Section.

LAST UPDATE: 19/07/1999